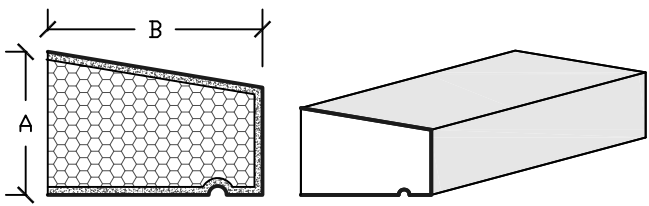
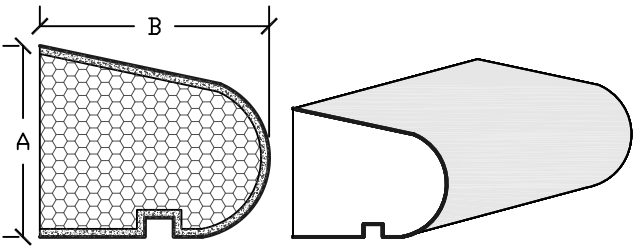
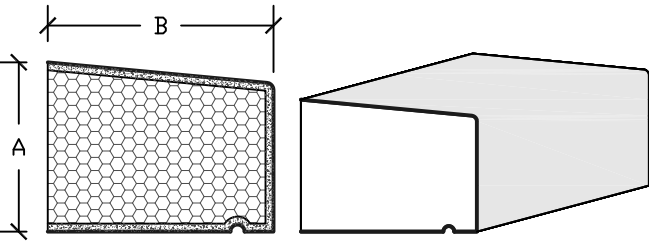
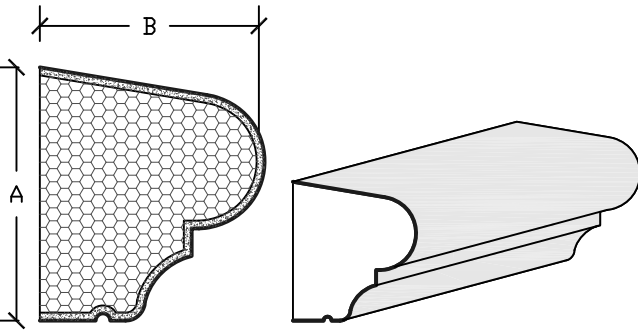
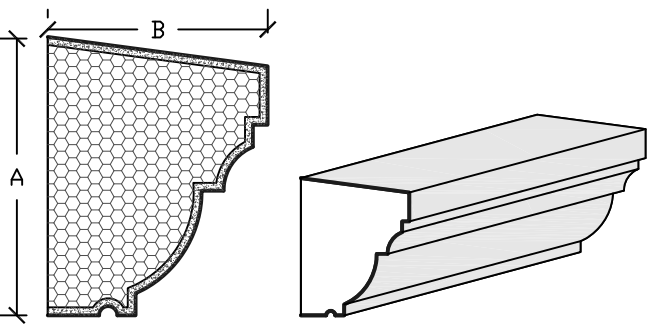
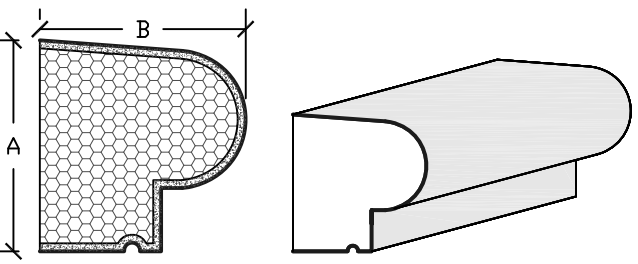


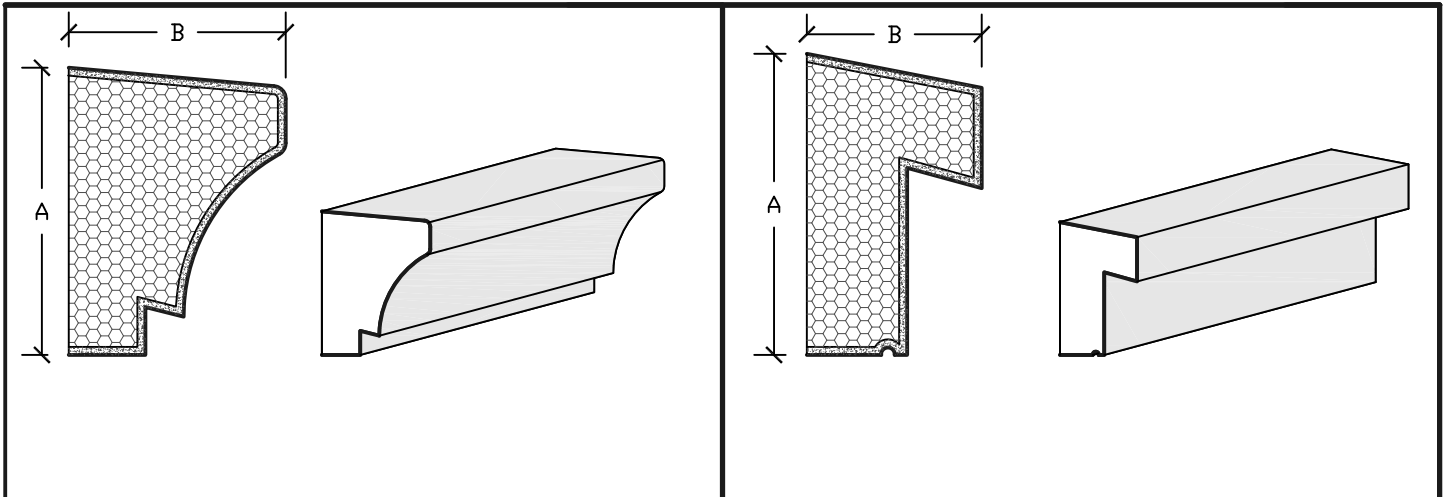
# Sills

							
<b>FILE #</b>	<b>A</b>	<b>B</b>		<b>FILE #</b>	<b>A</b>	<b>B</b>	
SL201	2"	3"	<b>STOCK</b>	SL302	2 1/2"	3"	
							
<b>FILE #</b>	<b>A</b>	<b>B</b>		<b>FILE #</b>	<b>A</b>	<b>B</b>	
SL325	3"	2 1/2"	<b>NEW</b>	SL451	4 3/8"	3 7/8"	<b>STOCK</b>
SL353	3"	4"	<b>STOCK</b>	SL651	5 3/4"	5 1/2"	
							
<b>FILE #</b>	<b>A</b>	<b>B</b>		<b>FILE #</b>	<b>A</b>	<b>B</b>	
SL501	4 3/4"	3 3/4"	<b>STOCK</b>	SL503	5"	4 7/8"	

# Sills

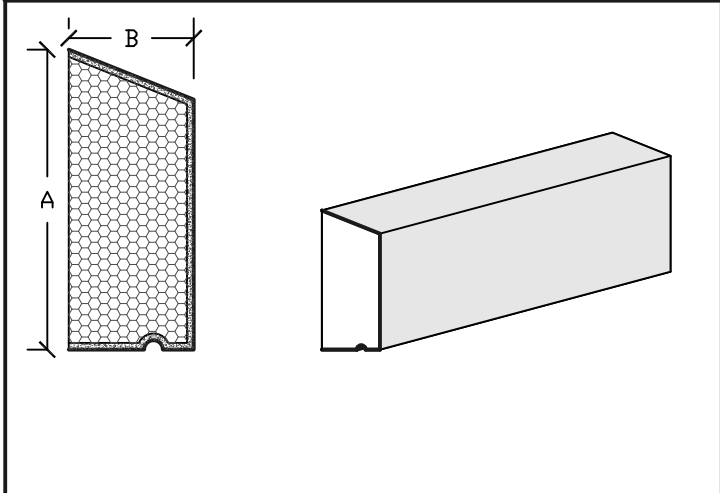
<b>FILE #</b>	<b>A</b>	<b>B</b>		<b>FILE #</b>	<b>A</b>	<b>B</b>	
SL505	5 1/4"	4 1/2"		SL506	4 7/8"	3 1/2"	<b>STOCK</b>
<b>FILE #</b>	<b>A</b>	<b>B</b>		<b>FILE #</b>	<b>A</b>	<b>B</b>	
SL522	5 7/16"	3 1/2"		SL575	5 3/4"	4"	<b>NEW</b>
				SL712	7 1/16"	5"	<b>NEW</b>
<b>FILE #</b>	<b>A</b>	<b>B</b>		<b>FILE #</b>	<b>A</b>	<b>B</b>	
SL576	5 3/4"	4 3/4"	<b>NEW</b>	SL602	6 3/8"	4"	<b>STOCK</b>

# Sills



FILE #	A	B	
SL603	5 5/8"	4 1/4"	

FILE #	A	B	
SL605	6"	3 1/2"	



FILE #	A	B	
SL652	6"	2 1/2"	

