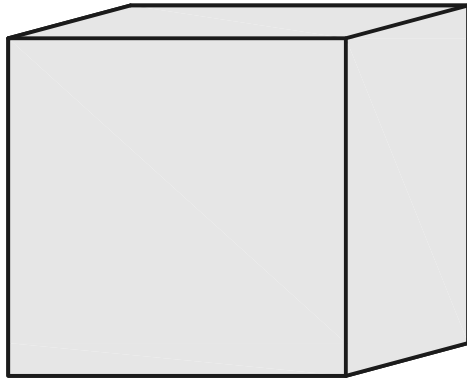
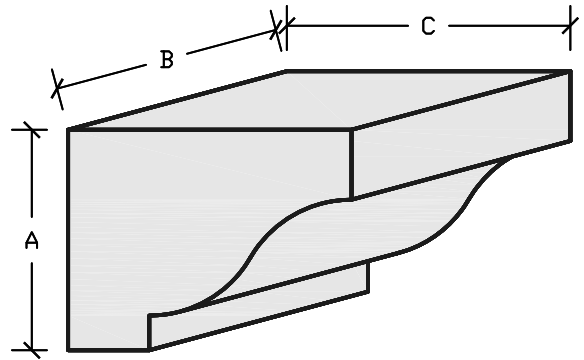
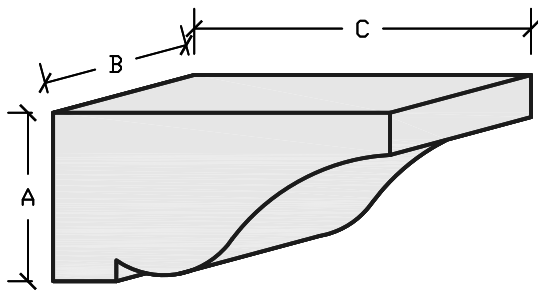


Dentil Blocks

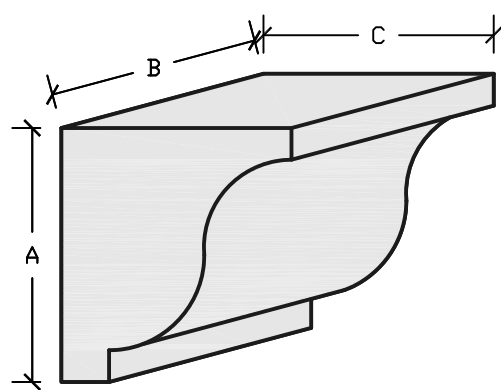
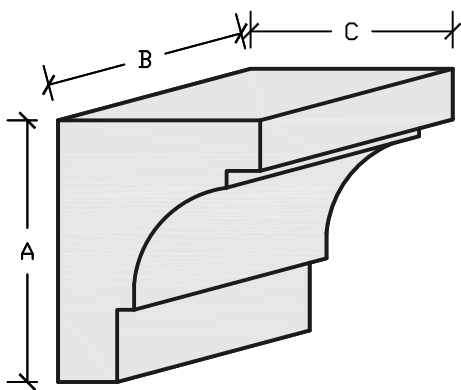


Various Sizes	
Thickness	WxH
1"	3"x3"
	4"x4"
1½"	5"x5"
	4"x6"
2"	3"x5"
	6"x6"
From Flat Stock	



FILE #	A	B	C
DT 2-B	4"	4"	8"

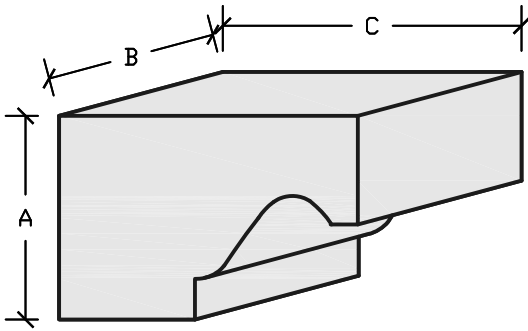
FILE #	A	B	C
DT 4-B	9 ½"	8"	12 ¾"



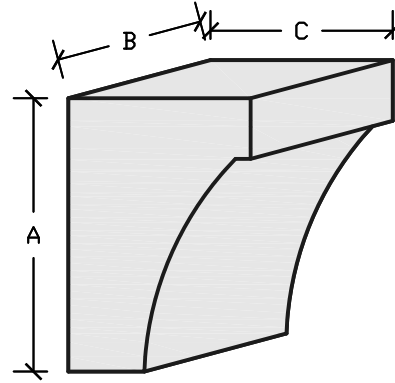
FILE #	A	B	C
DT 5-A	7 ¾"	5 ½"	6"

FILE #	A	B	C
DT 6-A	8"	6"	7 ¼"

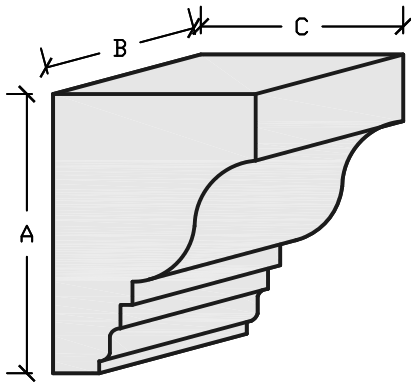
Dentil Blocks



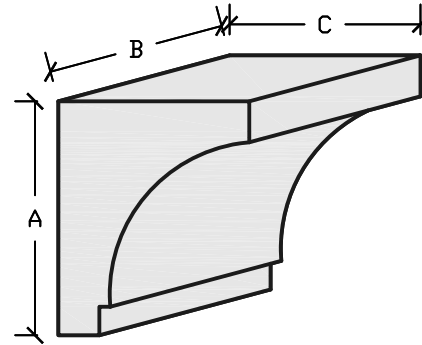
FILE #	A	B	C
DT 7-A	3 3/4"	4"	5 1/2"



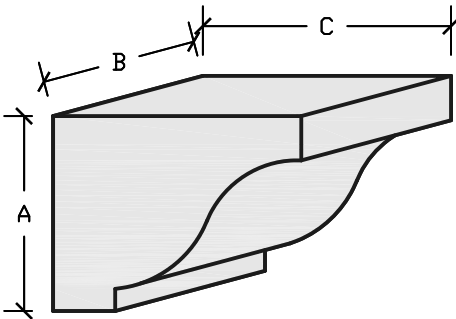
FILE #	A	B	C
DT 8-A	4 1/2"	3"	3"



FILE #	A	B	C
DT 10-A	6 1/4"	4"	4 1/2"



FILE #	A	B	C
DT 11-A	12 3/8"	7"	10 1/8"



FILE #	A	B	C
DT 13-A	5 1/2"	5"	7"