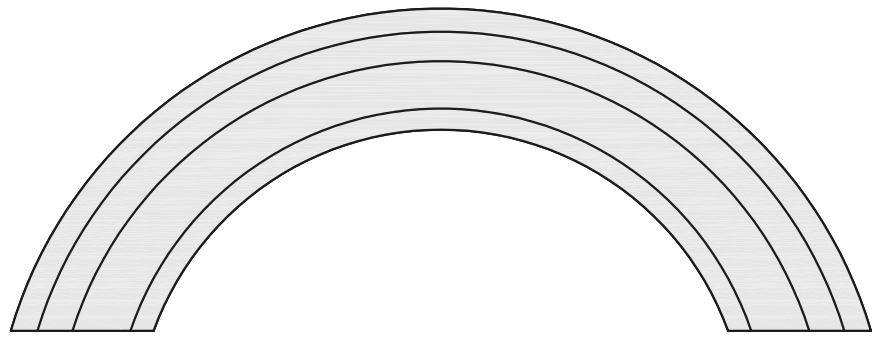
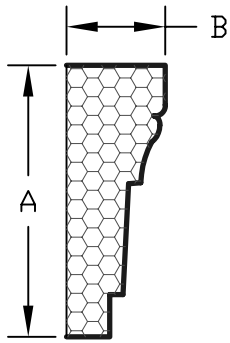
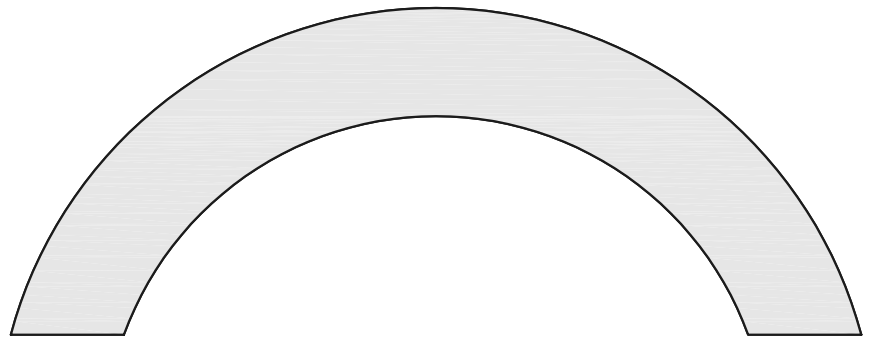
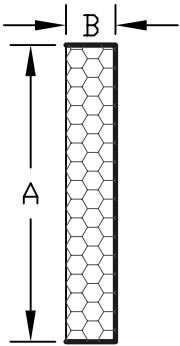


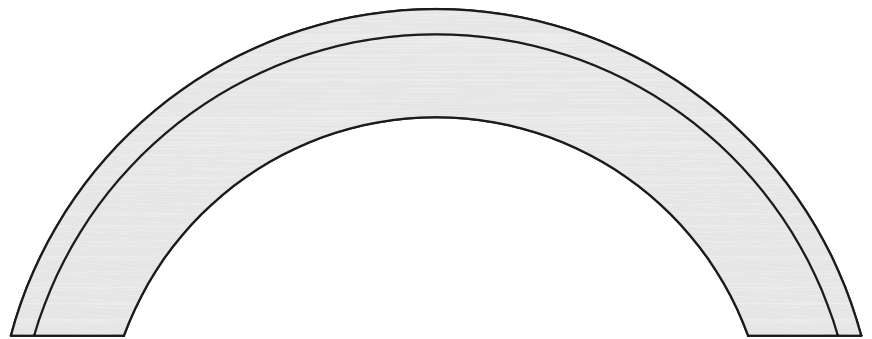
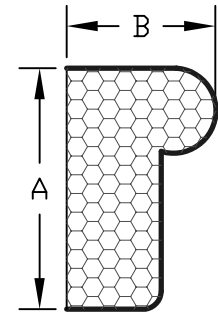
Arches



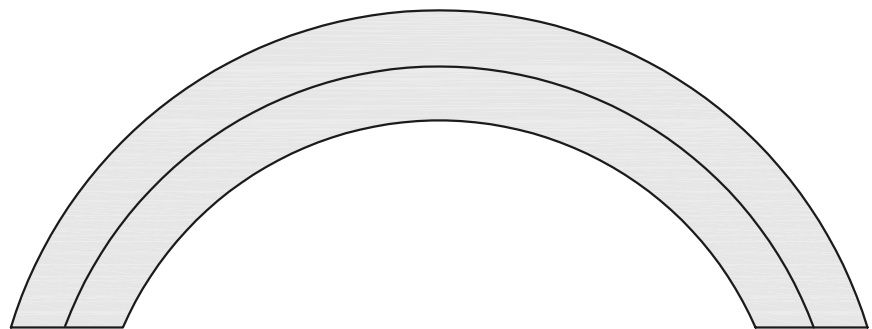
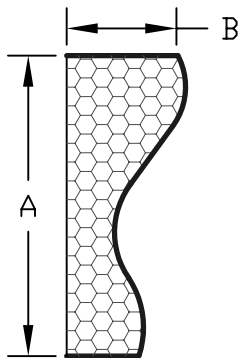
A **B** **FILE#**
5½" 2" **ARTR9972**



A **B** **FILE#**
6" 1" **AR1x6**

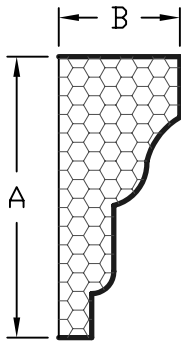
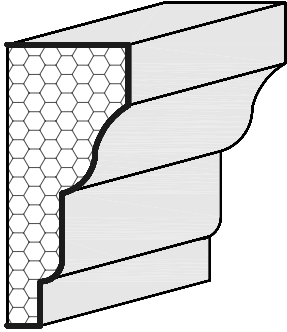
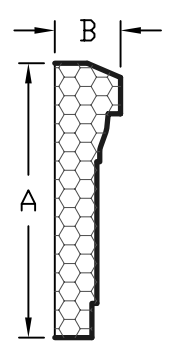
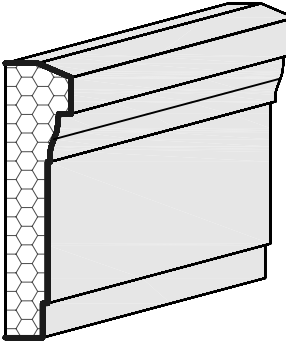
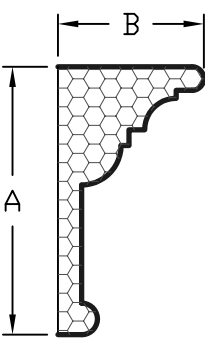
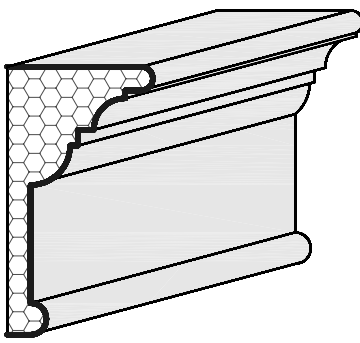
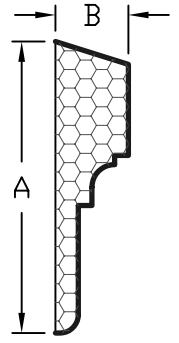
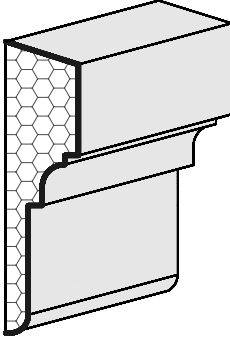
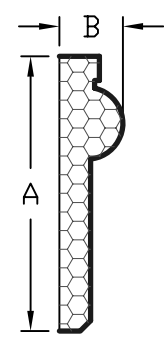
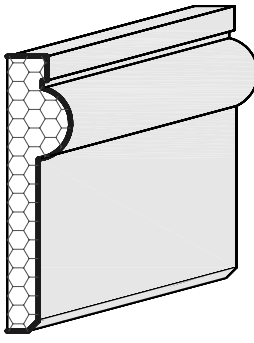
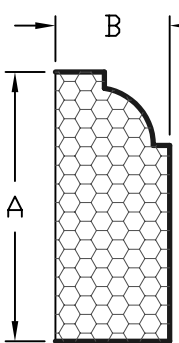
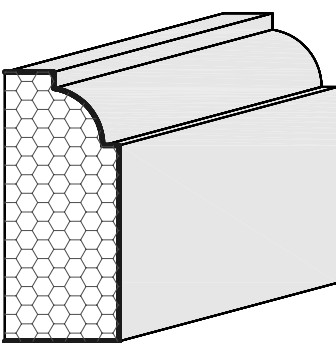
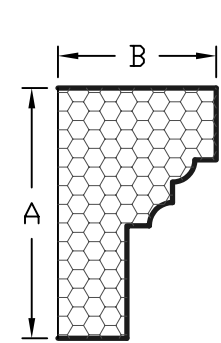
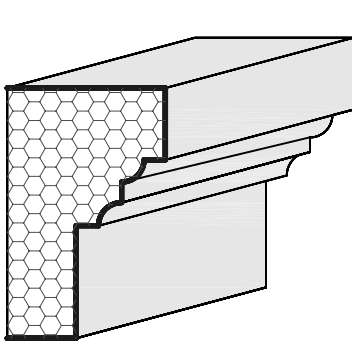
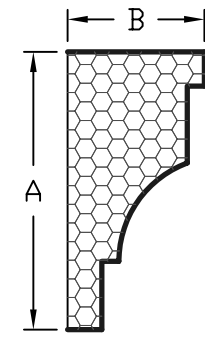
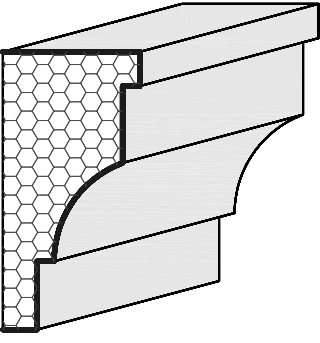


A **B** **FILE#**
5¼" 3¼" **AREUR006**

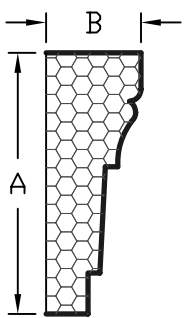
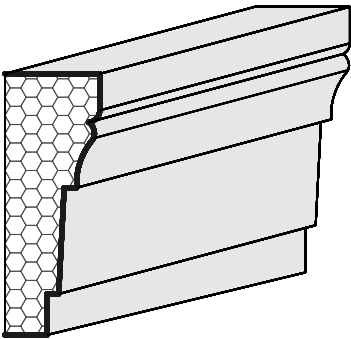
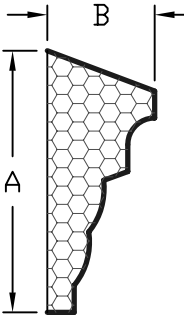
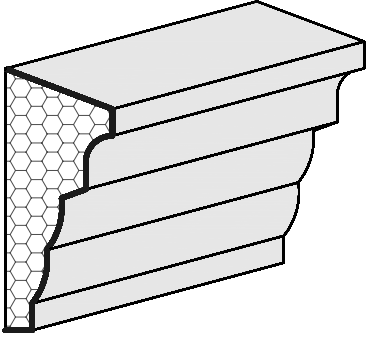
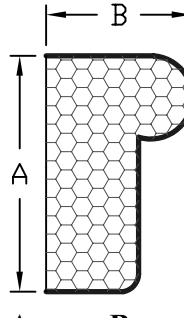
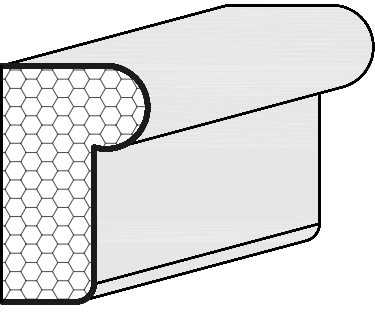
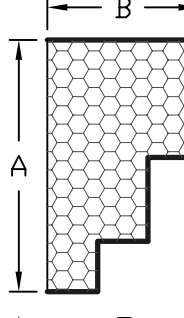
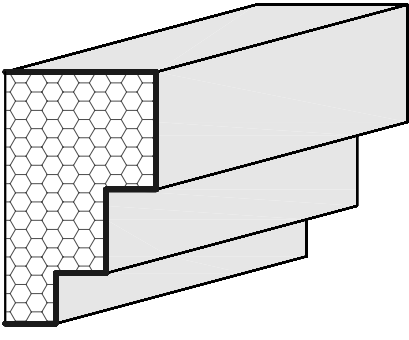
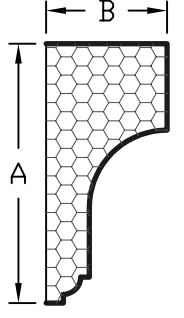
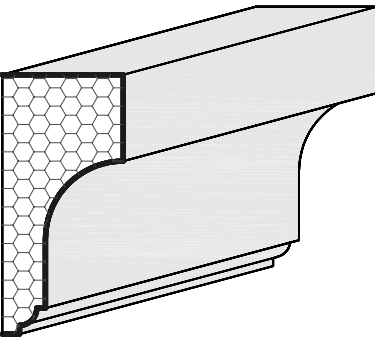
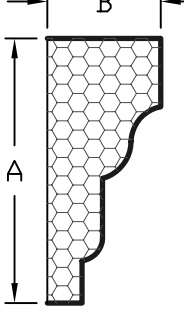
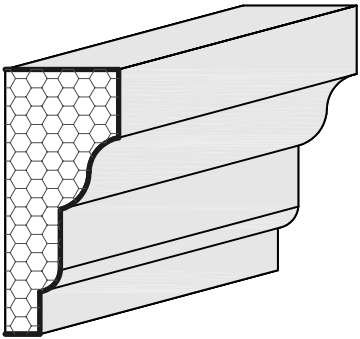
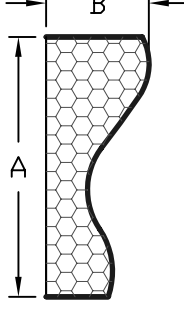
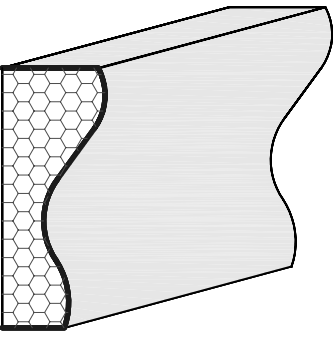
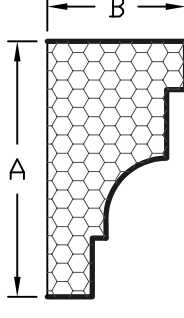
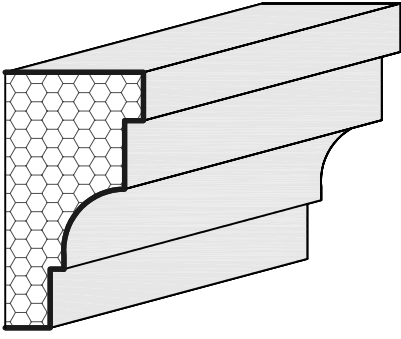


A **B** **FILE#**
6" 2⅜" **AREUR012**

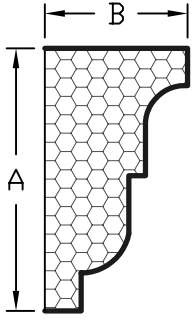
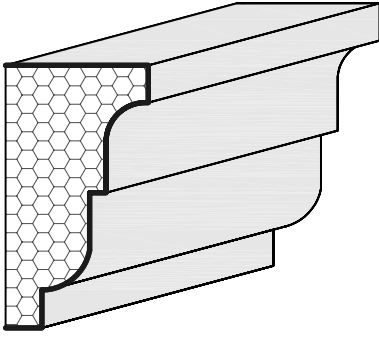
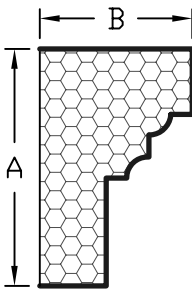
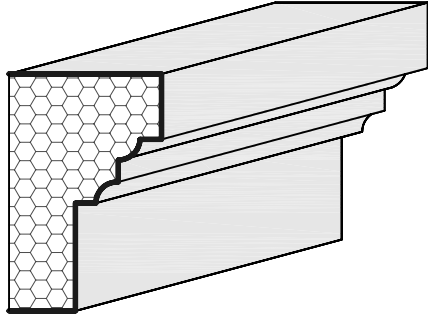
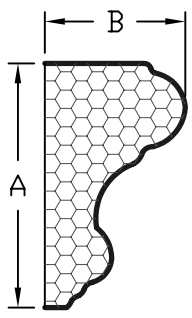
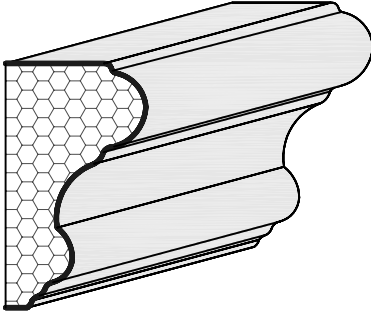
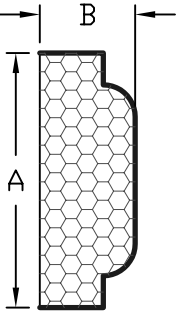
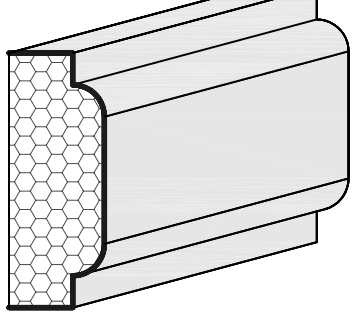
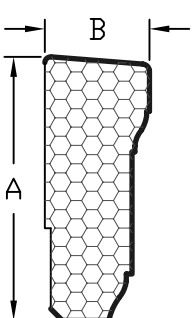
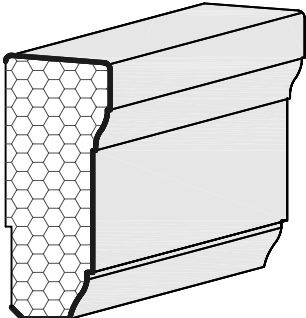
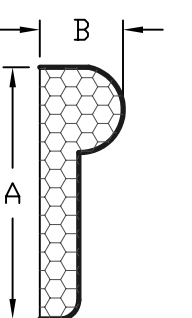
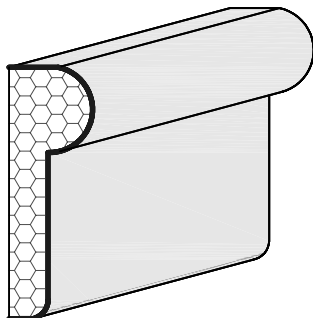
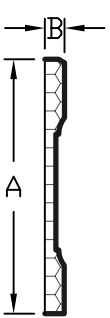
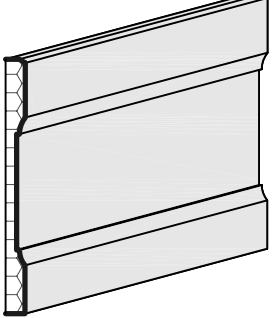
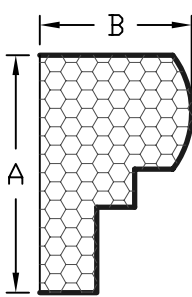
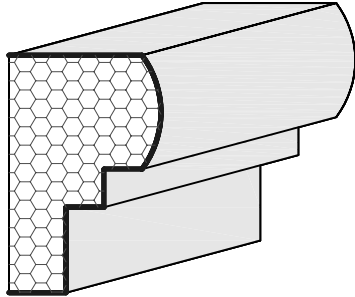
Banding And Trims

 <p>A 6 ³/₈"</p> <p>B 2 ³/₄"</p>	 <p>FILE# BD9906</p>	 <p>A 8 ³/₈"</p> <p>B 2"</p>	 <p>FILE# BD9944</p>
 <p>A 9 ¹/₈"</p> <p>B 4 ⁷/₈"</p>	 <p>FILE# BD9947</p>	 <p>A 16"</p> <p>B 4 ¹/₈"</p>	 <p>FILE# BD9950</p>
 <p>A 12 ³/₄"</p> <p>B 3"</p>	 <p>FILE# BD9952</p>	 <p>A 4 ¹/₈"</p> <p>B 1 ⁷/₈"</p>	 <p>FILE# TR9907</p>
 <p>A 2 ³/₄"</p> <p>B 1 ³/₄"</p>	 <p>FILE# TR9922</p>	 <p>A 4 ¹/₈"</p> <p>B 2"</p>	 <p>FILE# TR9969</p>

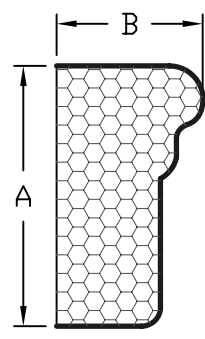
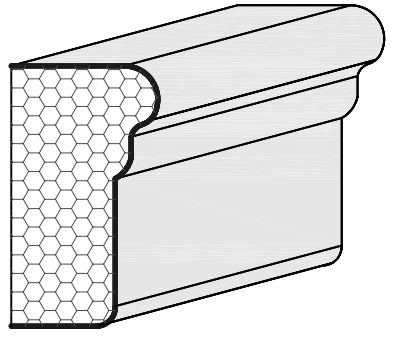
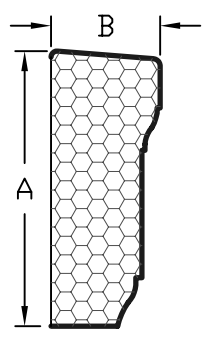
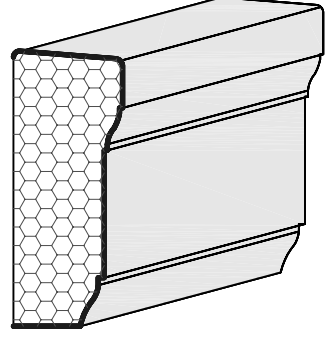
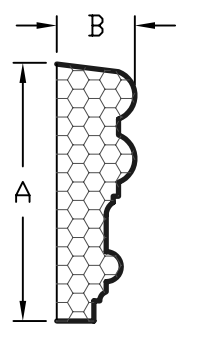
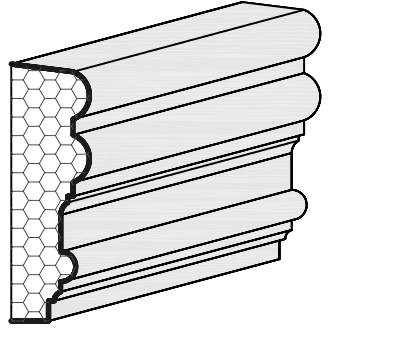
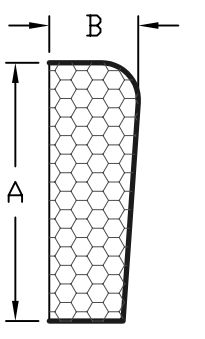
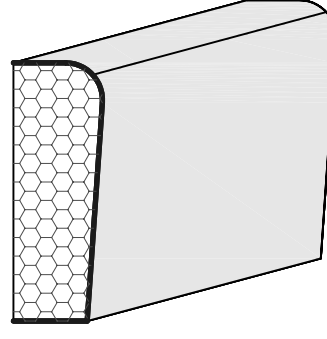
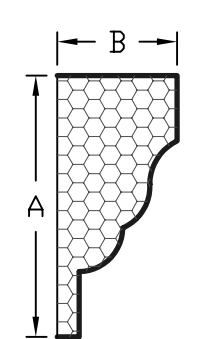
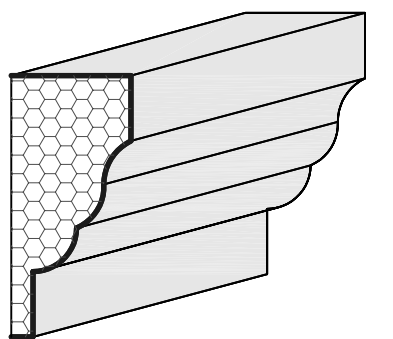
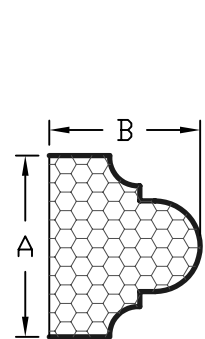
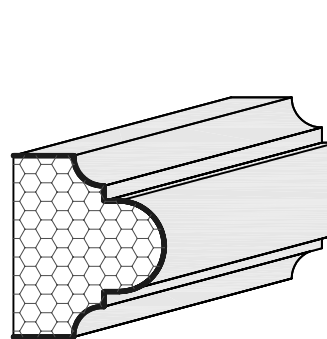
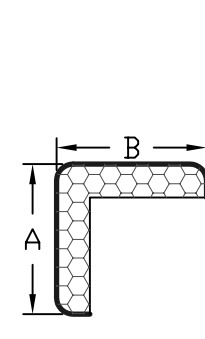
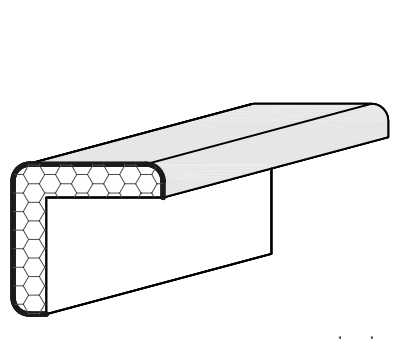
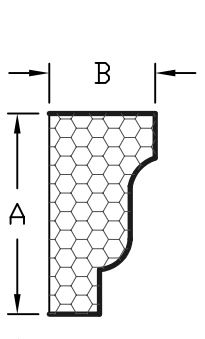
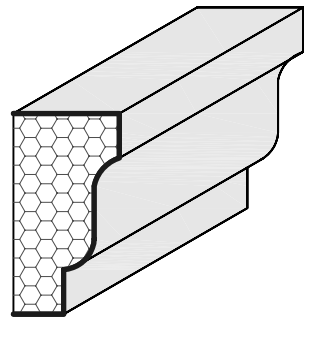
Banding And Trims

 <p>A 5 1/2"</p> <p>B 2"</p>	 <p>FILE# TR9972</p>	 <p>A 9 3/4"</p> <p>B 4"</p>	 <p>FILE# EUR005</p>
 <p>A 5 1/4"</p> <p>B 3 1/4"</p>	 <p>FILE# EUR006</p>	 <p>A 3 3/4"</p> <p>B 2 1/4"</p>	 <p>FILE# EUR007</p>
 <p>A 3 3/4"</p> <p>B 1 3/4"</p>	 <p>FILE# EUR009</p>	 <p>A 6 3/8"</p> <p>B 2 3/4"</p>	 <p>FILE# EUR010</p> <p><small>* Also Available With A Slope</small></p>
 <p>A 6"</p> <p>B 2 3/8"</p>	 <p>FILE# EUR012</p>	 <p>A 4 1/8"</p> <p>B 2"</p>	 <p>FILE# EUR013</p>

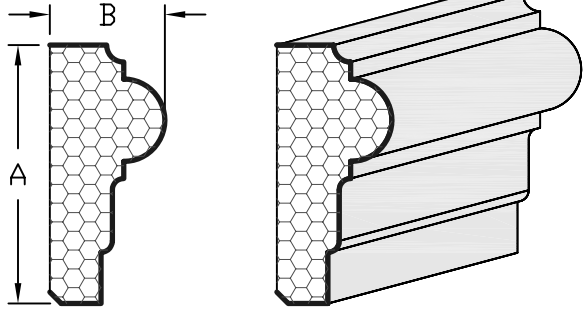
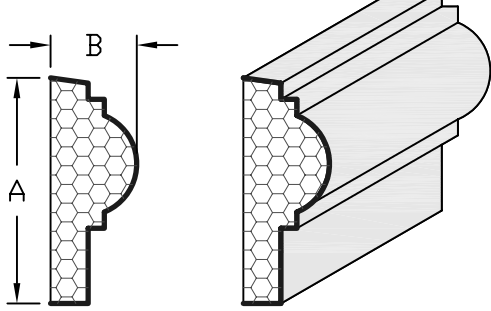
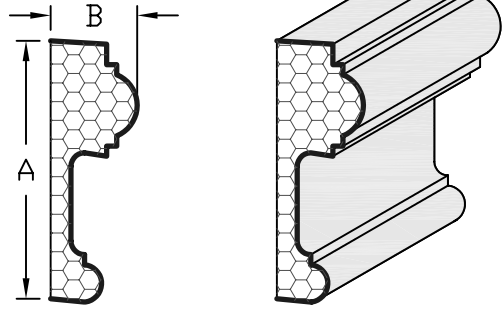
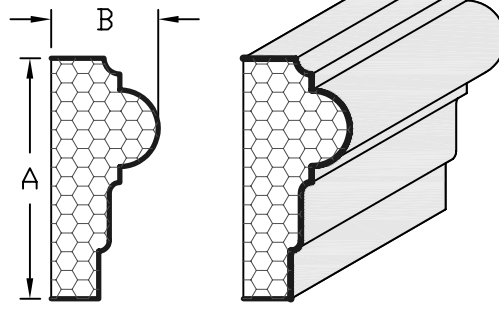
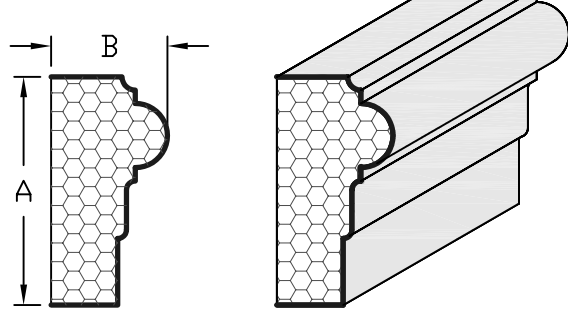
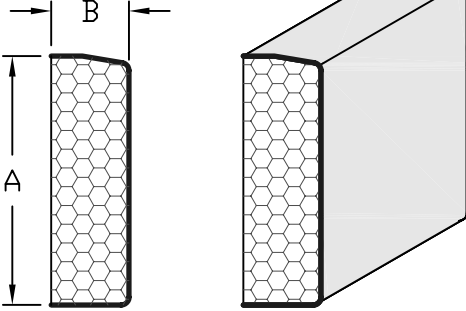
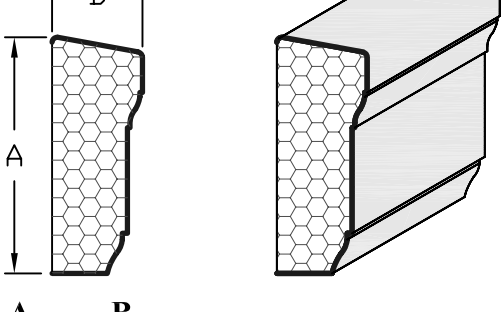
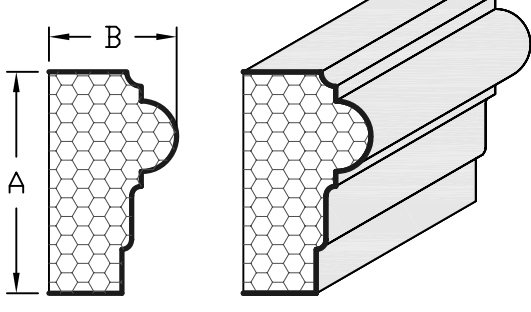
Banding And Trims

 <p>A 6"</p> <p>B 3$\frac{1}{4}$"</p>	 <p>FILE# EUR015</p>	 <p>A 2$\frac{3}{4}$"</p> <p>B 1$\frac{3}{4}$"</p>	 <p>FILE# EUR018</p>
 <p>A 4$\frac{3}{8}$"</p> <p>B 2$\frac{1}{2}$"</p>	 <p>FILE# 2111275</p>	 <p>A 4"</p> <p>B 1$\frac{1}{2}$"</p>	 <p>FILE# 2204173</p>
 <p>A 5$\frac{3}{4}$"</p> <p>B 2$\frac{1}{4}$"</p>	 <p>FILE# 22052112b</p>	 <p>A 5$\frac{1}{4}$"</p> <p>B 1$\frac{3}{4}$"</p>	 <p>FILE# 2206111</p>
 <p>A 23"</p> <p>B 1$\frac{3}{4}$"</p>	 <p>FILE# 2206243c</p>	 <p>A 6$\frac{1}{4}$"</p> <p>B 4"</p>	 <p>FILE# 2207041</p>

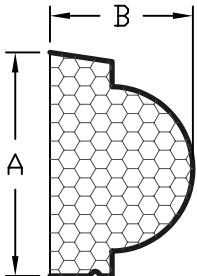
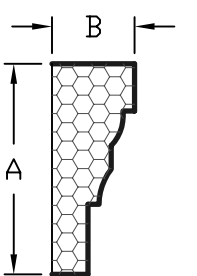
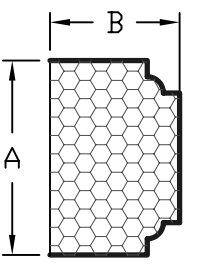
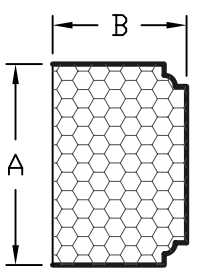
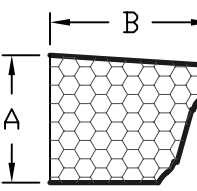
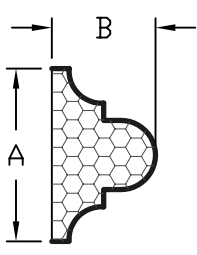
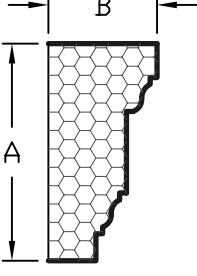
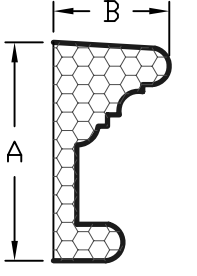
Banding And Trims

 <p>A 3$\frac{1}{8}$"</p> <p>B 1$\frac{3}{4}$"</p>	 <p>FILE# 2207081a</p>	 <p>A 3$\frac{1}{2}$"</p> <p>B 1$\frac{3}{8}$"</p>	 <p>FILE# 2207313</p>
 <p>A 4$\frac{1}{2}$"</p> <p>B 1$\frac{3}{8}$"</p>	 <p>FILE# 2208071</p>	 <p>A 3$\frac{1}{2}$"</p> <p>B 1$\frac{3}{16}$"</p>	 <p>FILE# 2208091</p>
 <p>A 6"</p> <p>B 2$\frac{3}{4}$"</p>	 <p>FILE# 2208215</p>	 <p>A 3"</p> <p>B 2$\frac{1}{2}$"</p>	 <p>FILE# 2208216</p>
 <p>A 4"</p> <p>B 4"</p>	 <p>FILE# 2210215</p> <p><small>* Also Available 4$\frac{1}{2}$"x4$\frac{1}{2}$"</small></p>	 <p>A 2$\frac{1}{4}$"</p> <p>B 1$\frac{3}{16}$"</p>	 <p>FILE# 2303207</p>

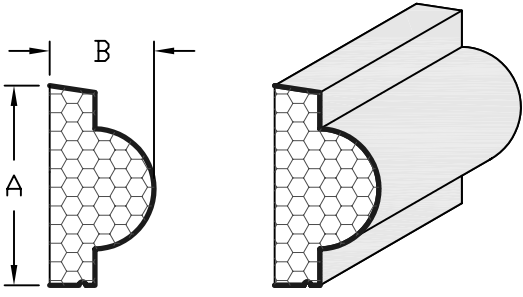
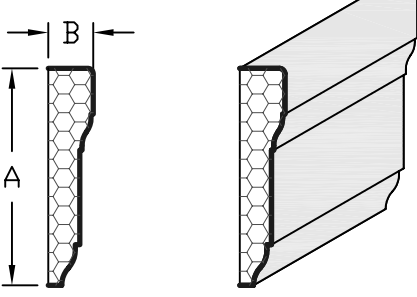
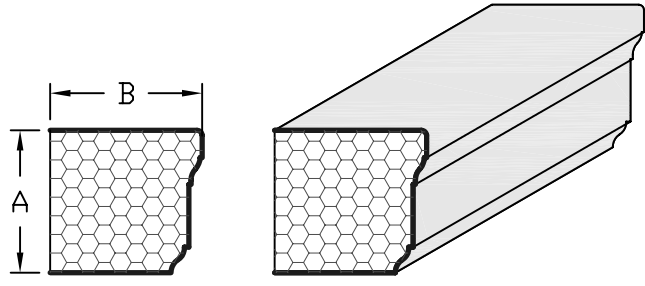
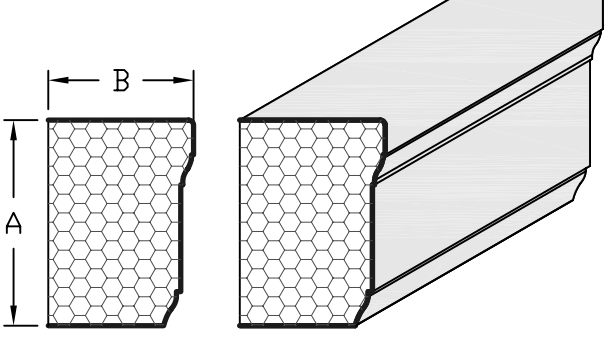
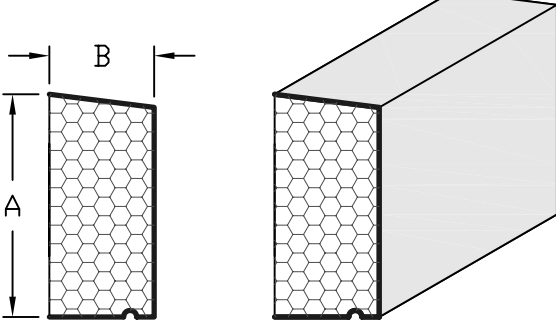
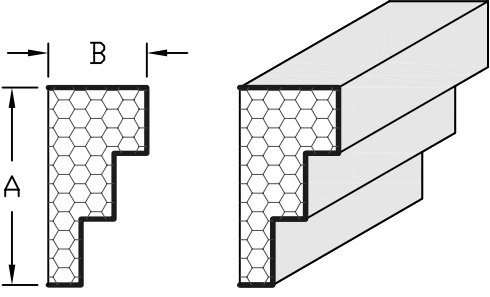
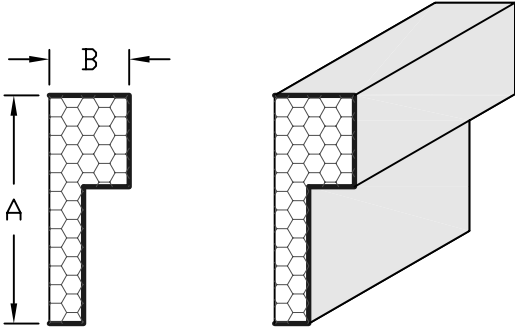
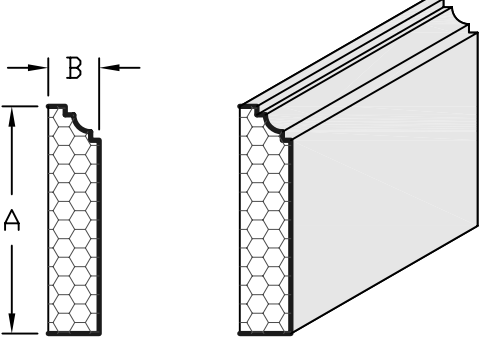
Banding And Trims

 <p>A B $5\frac{11}{16}"$ $2\frac{1}{2}"$</p> <p>FILE# 2305201</p>	 <p>A B $10\frac{1}{2}"$ $4"$</p> <p>FILE# 23052913a</p>
 <p>A B $19\frac{1}{4}"$ $6\frac{3}{8}"$</p> <p>FILE# 2305292a</p>	 <p>A B $5\frac{11}{16}"$ $2\frac{1}{2}"$</p> <p>FILE# 2305299a</p>
 <p>A B $6\frac{7}{16}"$ $3\frac{1}{4}"$</p> <p>FILE# 2305299b</p>	 <p>A B $8"$ $2\frac{1}{2}"$</p> <p>FILE# 2306011</p>
 <p>A B $3\frac{5}{8}"$ $1\frac{3}{8}"$</p> <p>FILE# 2307082</p>	 <p>A B $5\frac{11}{16}"$ $3\frac{1}{4}"$</p> <p>FILE# 2307251a</p>

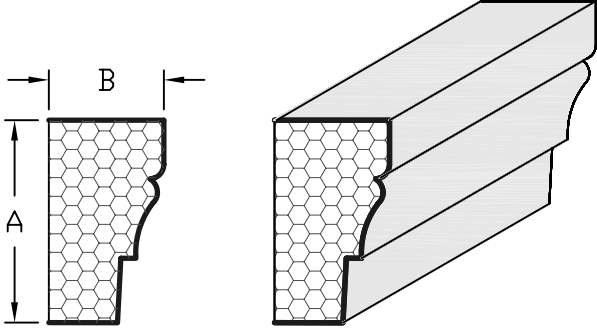
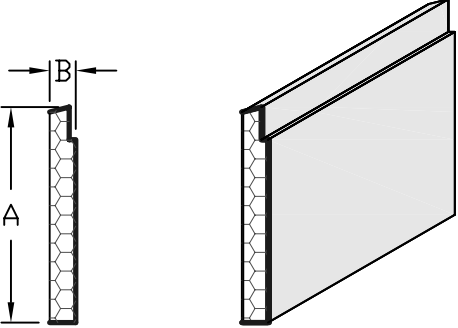
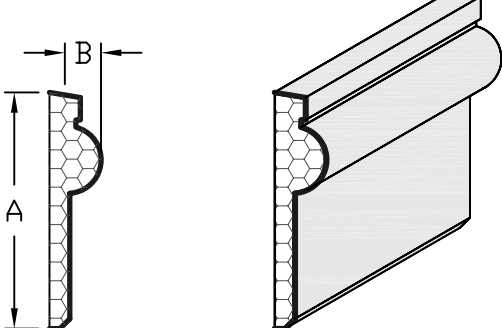
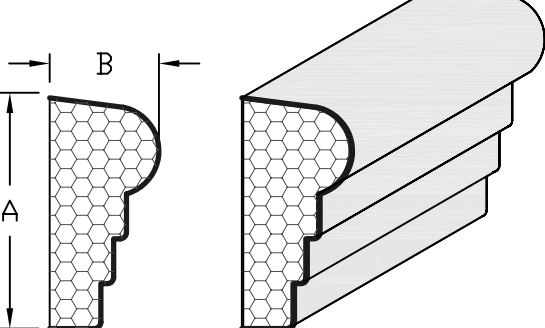
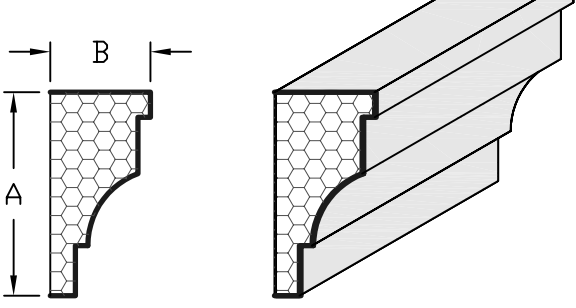
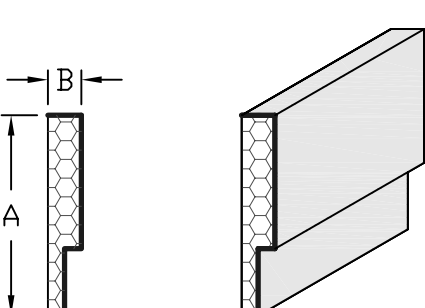
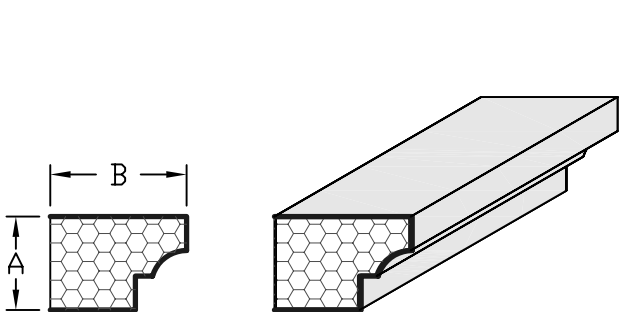
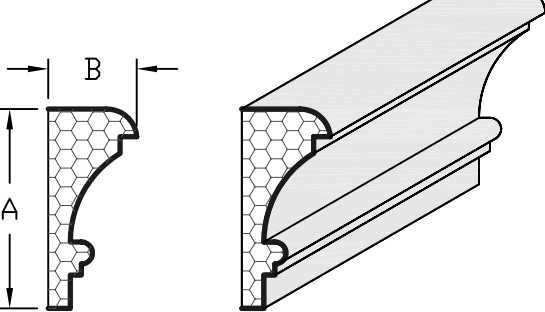
Banding And Trims

 <p>A 9"</p> <p>B 5$\frac{3}{4}$"</p> <p>FILE# 2307301A</p>	 <p>A 4$\frac{1}{2}$"</p> <p>B 1$\frac{3}{4}$"</p> <p>FILE# 2309225</p>
 <p>A 6"</p> <p>B 4"</p> <p>FILE# 2310091</p>	 <p>A 9"</p> <p>B 6"</p> <p>FILE# 2310092</p>
 <p>A 3$\frac{3}{16}$"</p> <p>B 4"</p> <p>FILE# 2310212c</p>	 <p>A 2$\frac{1}{2}$"</p> <p>B 1$\frac{1}{2}$"</p> <p>FILE# 2310295</p>
 <p>A 8"</p> <p>B 4"</p> <p>FILE# 2310297</p>	 <p>A 9$\frac{3}{8}$"</p> <p>B 5"</p> <p>FILE# 2311033</p>

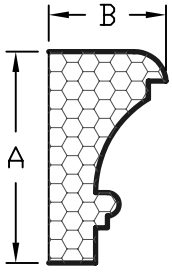
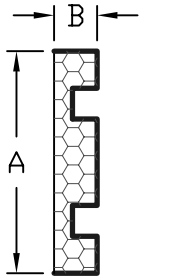
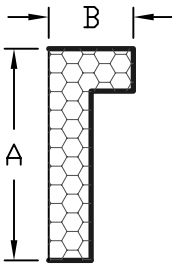
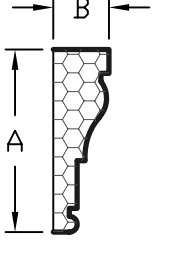
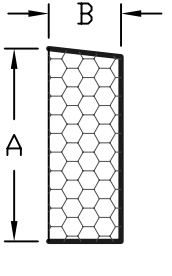
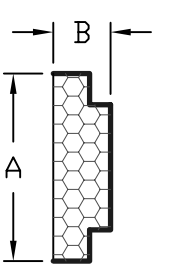
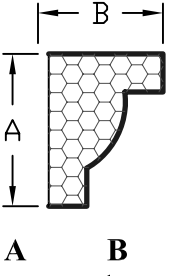
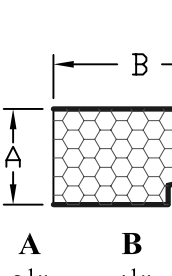
Banding And Trims

 <p>A B 11" 5$\frac{3}{4}$"</p> <p>FILE# 2311215</p>	 <p>A B 6" 1$\frac{1}{4}$"</p> <p>FILE# 2312191</p>
 <p>A B 4" 4$\frac{1}{4}$"</p> <p>FILE# 2312192</p>	 <p>A B 6" 4$\frac{1}{4}$"</p> <p>FILE# 2312231</p>
 <p>A B 12$\frac{3}{4}$" 6"</p> <p>FILE# 2401121a</p>	 <p>A B 11$\frac{13}{16}$" 5$\frac{7}{8}$"</p> <p>FILE# 2401201</p>
 <p>A B 10" 3$\frac{1}{2}$"</p> <p>FILE# 2402021</p>	 <p>A B 6$\frac{11}{16}$" 1$\frac{1}{2}$"</p> <p>FILE# 2402112</p>

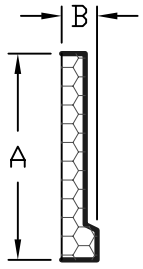
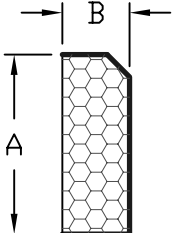
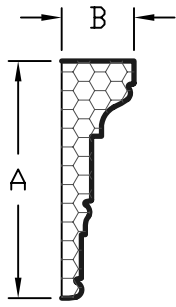
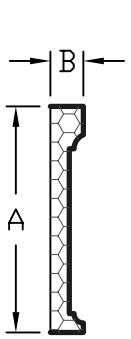
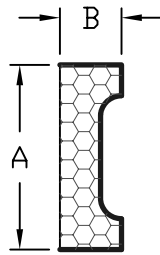
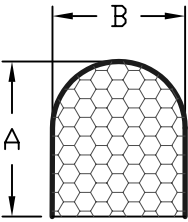
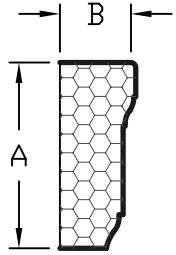
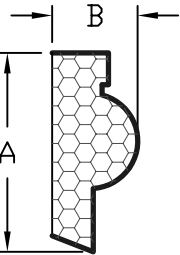
Banding And Trims

 <p>A B $3\frac{1}{2}''$ $2''$</p> <p>FILE# 2402251</p>	 <p>A B $8\frac{1}{4}''$ $1''$</p> <p>FILE# 2403165b</p>
 <p>A B $11\frac{3}{4}''$ $2\frac{9}{16}''$</p> <p>FILE# 2404223</p>	 <p>A B $4\frac{1}{2}''$ $2\frac{1}{8}''$</p> <p>FILE# 2405061</p>
 <p>A B $6''$ $2\frac{15}{16}''$</p> <p>FILE# 2405133</p>	 <p>A B $18''$ $3''$</p> <p>FILE# 2407058</p>
 <p>A B $4\frac{5}{16}''$ $6\frac{5}{16}''$</p> <p>FILE# 2407061</p>	 <p>A B $7\frac{1}{16}''$ $3\frac{1}{8}''$</p> <p>FILE# 2407062</p>

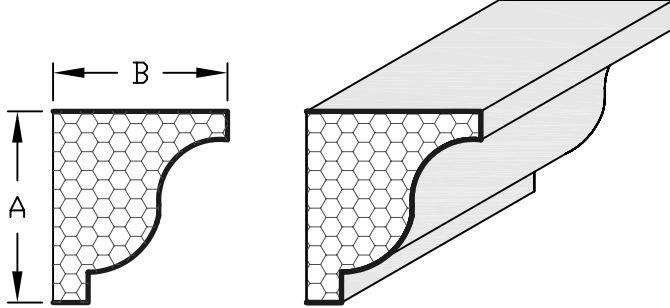
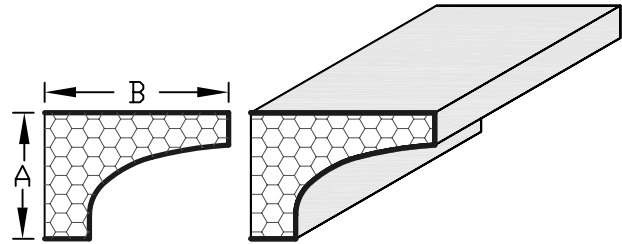
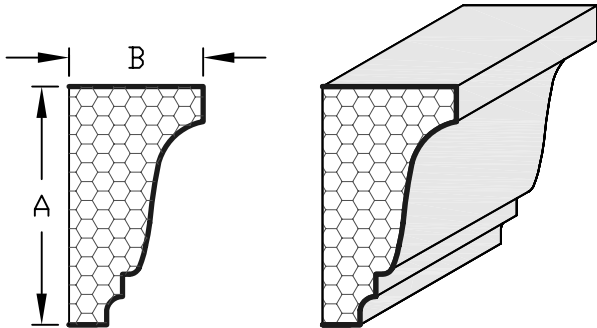
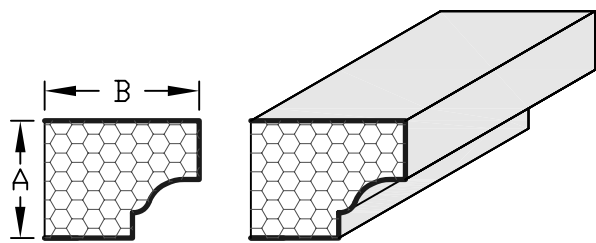
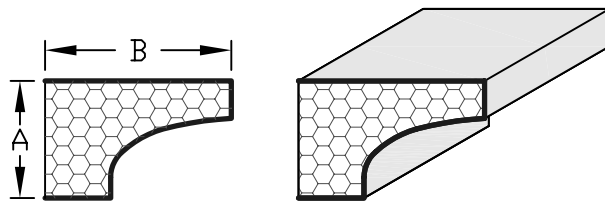
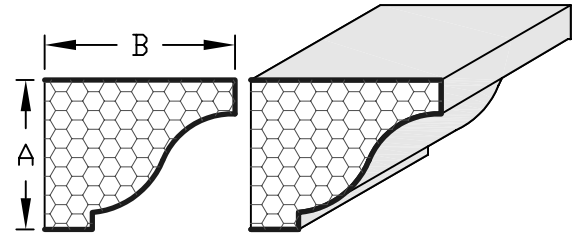
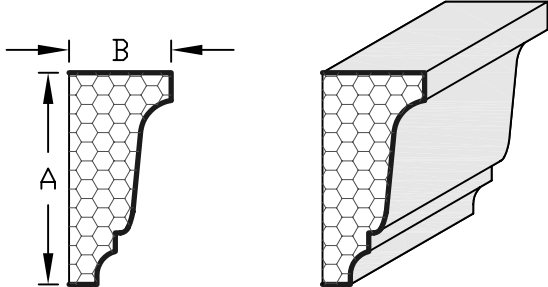
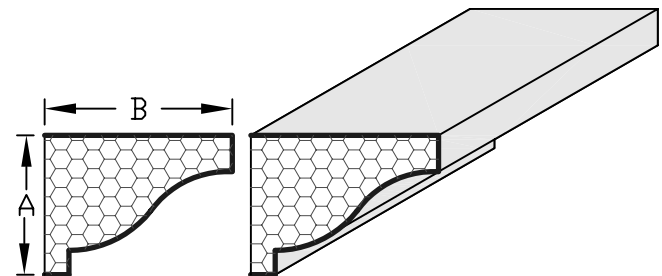
Banding And Trims

 <p>A 7$\frac{1}{16}$"</p> <p>B 3$\frac{15}{16}$"</p> <p>FILE# 2407062a</p>	 <p>A 7$\frac{1}{16}$"</p> <p>B 1$\frac{3}{8}$"</p> <p>FILE# 2407065</p>
 <p>A 5$\frac{7}{8}$"</p> <p>B 2$\frac{3}{8}$"</p> <p>FILE# 2407067</p>	 <p>A 9$\frac{1}{16}$"</p> <p>B 2$\frac{3}{4}$"</p> <p>FILE# 2407069</p>
 <p>A 12"</p> <p>B 4$\frac{1}{2}$"</p> <p>FILE# 2407082</p>	 <p>A 7$\frac{1}{16}$"</p> <p>B 2$\frac{3}{16}$"</p> <p>FILE# 2407093</p>
 <p>A 2"</p> <p>B 1$\frac{1}{2}$"</p> <p>FILE# 2407132</p>	 <p>A 2$\frac{1}{2}$"</p> <p>B 4$\frac{1}{2}$"</p> <p>FILE# 2407136</p>

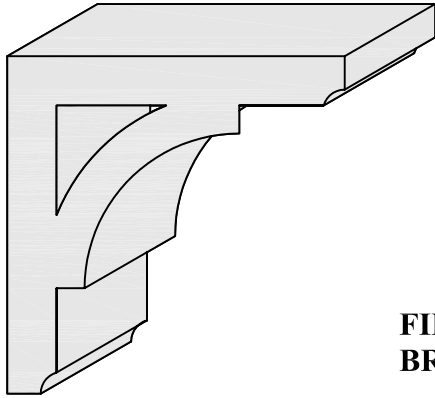
Banding And Trims

 <p>A 8$\frac{3}{4}$"</p> <p>B 1$\frac{1}{2}$"</p> <p>FILE# 2407137</p>	 <p>A 6"</p> <p>B 2$\frac{1}{4}$"</p> <p>FILE# 2407161</p>
 <p>A 5$\frac{3}{8}$"</p> <p>B 1$\frac{3}{4}$"</p> <p>FILE# 2408202</p>	 <p>A 12"</p> <p>B 1$\frac{3}{4}$"</p> <p>FILE# 2411042d</p>
 <p>A 6"</p> <p>B 2"</p> <p>FILE# 2411251</p>	 <p>A 3$\frac{1}{2}$"</p> <p>B 3"</p> <p>FILE# 2411263</p>
 <p>A 5$\frac{1}{2}$"</p> <p>B 2$\frac{1}{4}$"</p> <p>FILE# 2501035</p>	 <p>A 7"</p> <p>B 3"</p> <p>FILE# 2501181</p>

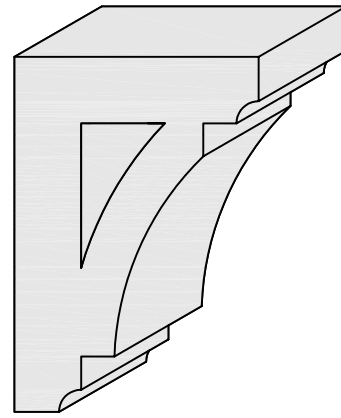
Brackets

 <p>A B 8" 7 ¹/₄"</p> <p>FILE# CN9983</p>	 <p>A B 7 ³/₄" 11 ⁵/₁₆"</p> <p>FILE# 2303201a</p>
 <p>A B 7 ³/₄" 4 ³/₈"</p> <p>FILE# 2305051</p>	 <p>A B 8" 10 ¹/₂"</p> <p>FILE# 2305053</p>
 <p>A B 8 ¹/₂" 13 ¹/₂"</p> <p>FILE# 2305076</p>	 <p>A B 5 ¹/₂" 7"</p> <p>FILE# 23050711</p>
 <p>A B 5 ¹¹/₁₆" 2 ³/₄"</p> <p>FILE# 2307081</p>	 <p>A B 5 ³/₄" 7 ³/₄"</p> <p>FILE# 2310244</p>

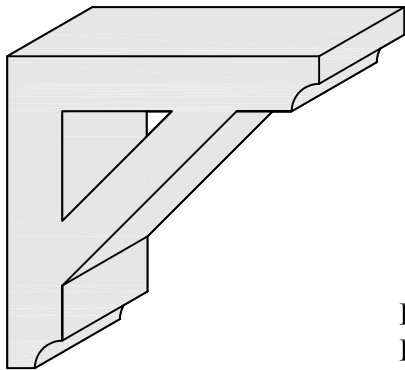
Brackets



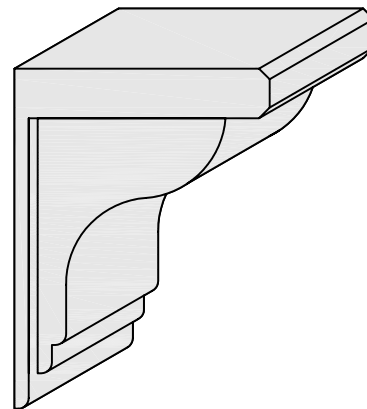
**FILE#
BR01**



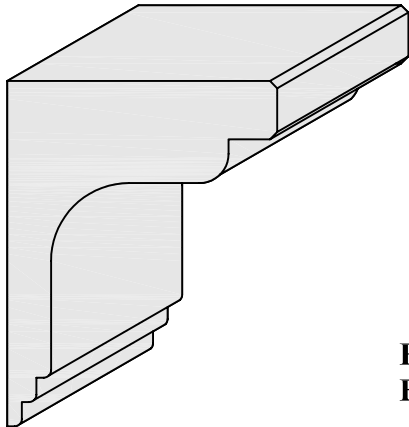
**FILE#
BR02**



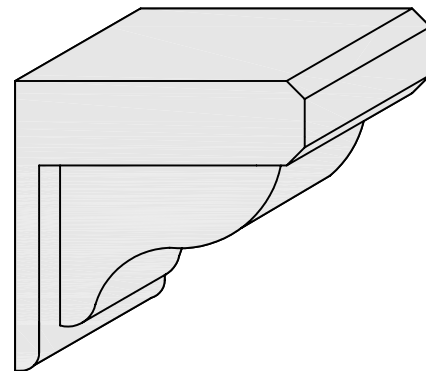
**FILE#
BR03**



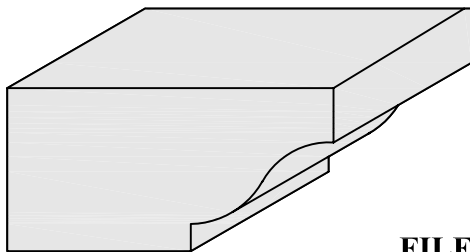
**FILE#
BR04**



**FILE#
BR05**



**FILE#
BR06**

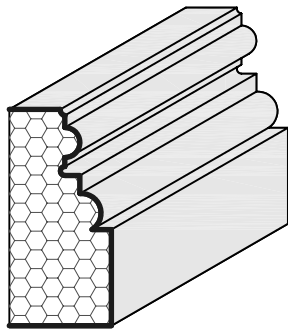
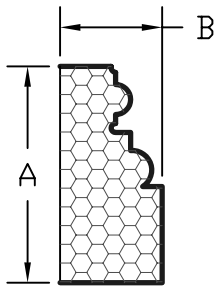


**FILE#
BR07**

These details are just a representation of some of the different types of brackets we are able to manufacture.

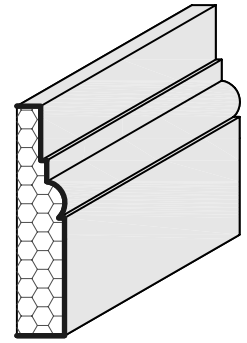
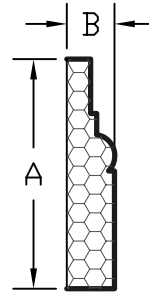
Brackets shown on this page are available in a hand stone finish only, and are custom sized to fit your project.

Caps and Bases



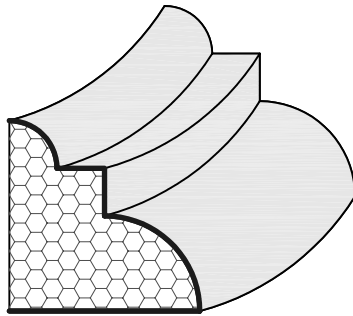
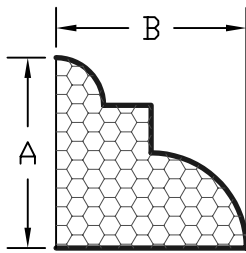
A
9"
B
4 $\frac{1}{4}$ "

FILE#
B9960



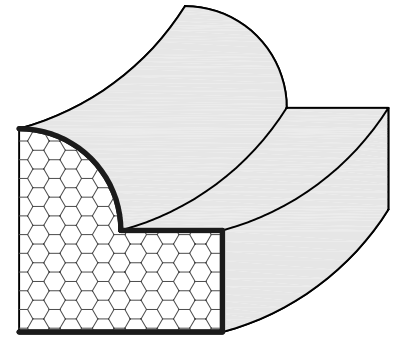
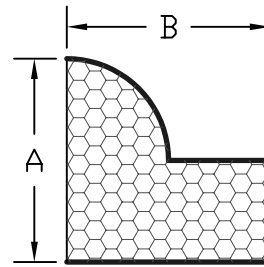
A
9 $\frac{1}{2}$ "
B
2"

FILE#
B9962



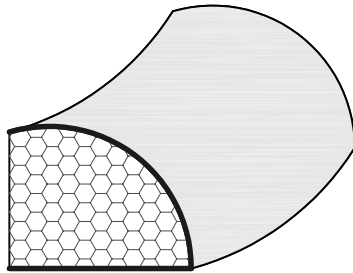
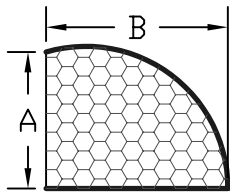
A
4"
B
4"

FILE#
2210243



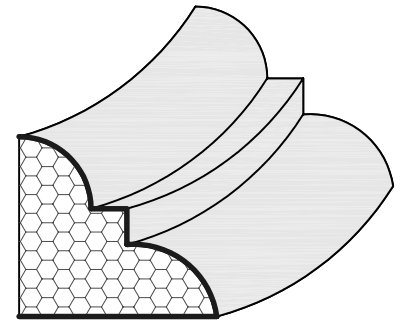
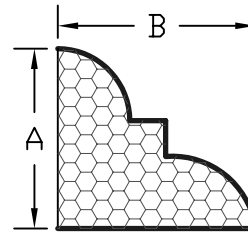
A
4"
B
4"

FILE#
2210244



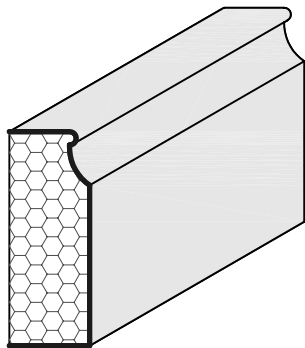
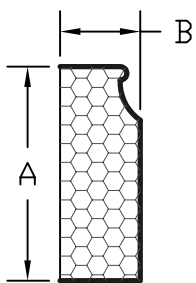
A
1 $\frac{1}{2}$ "
B
2"

FILE#
2311182



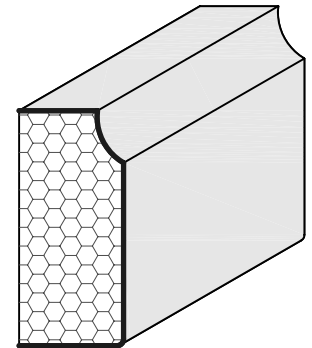
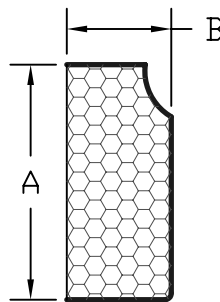
A
2 $\frac{1}{2}$ "
B
2 $\frac{3}{4}$ "

FILE#
2311183



A
8"
B
3"

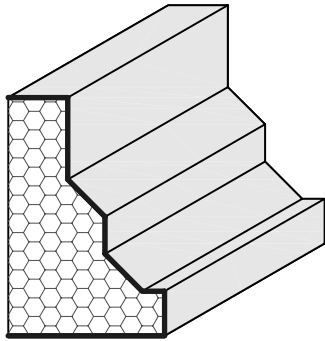
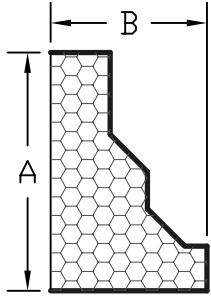
FILE#
2405041



A
4 $\frac{1}{2}$ "
B
2"

FILE#
2405062

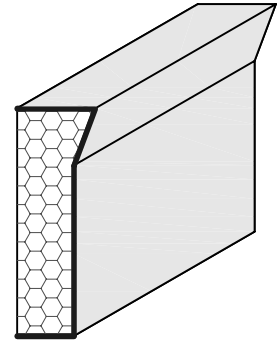
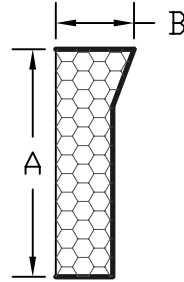
Caps and Bases



A
8"

B
5 $\frac{1}{4}$ "

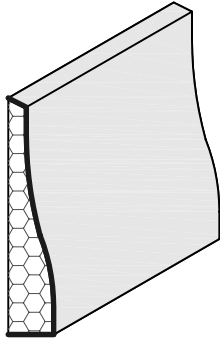
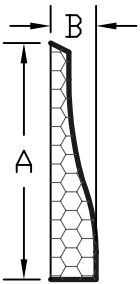
FILE#
2406095a



A
8"

B
2 $\frac{3}{4}$ "

FILE#
2411022

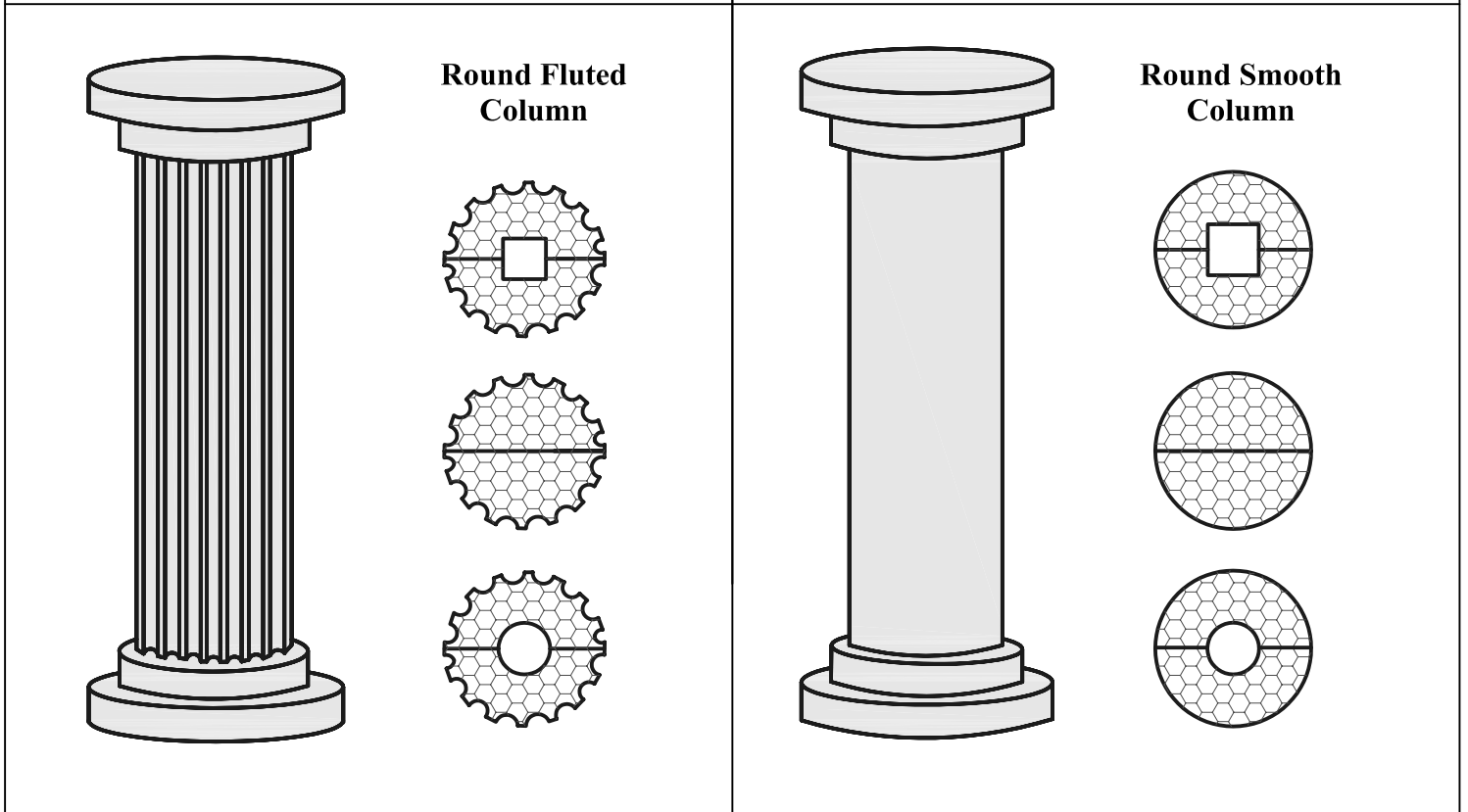
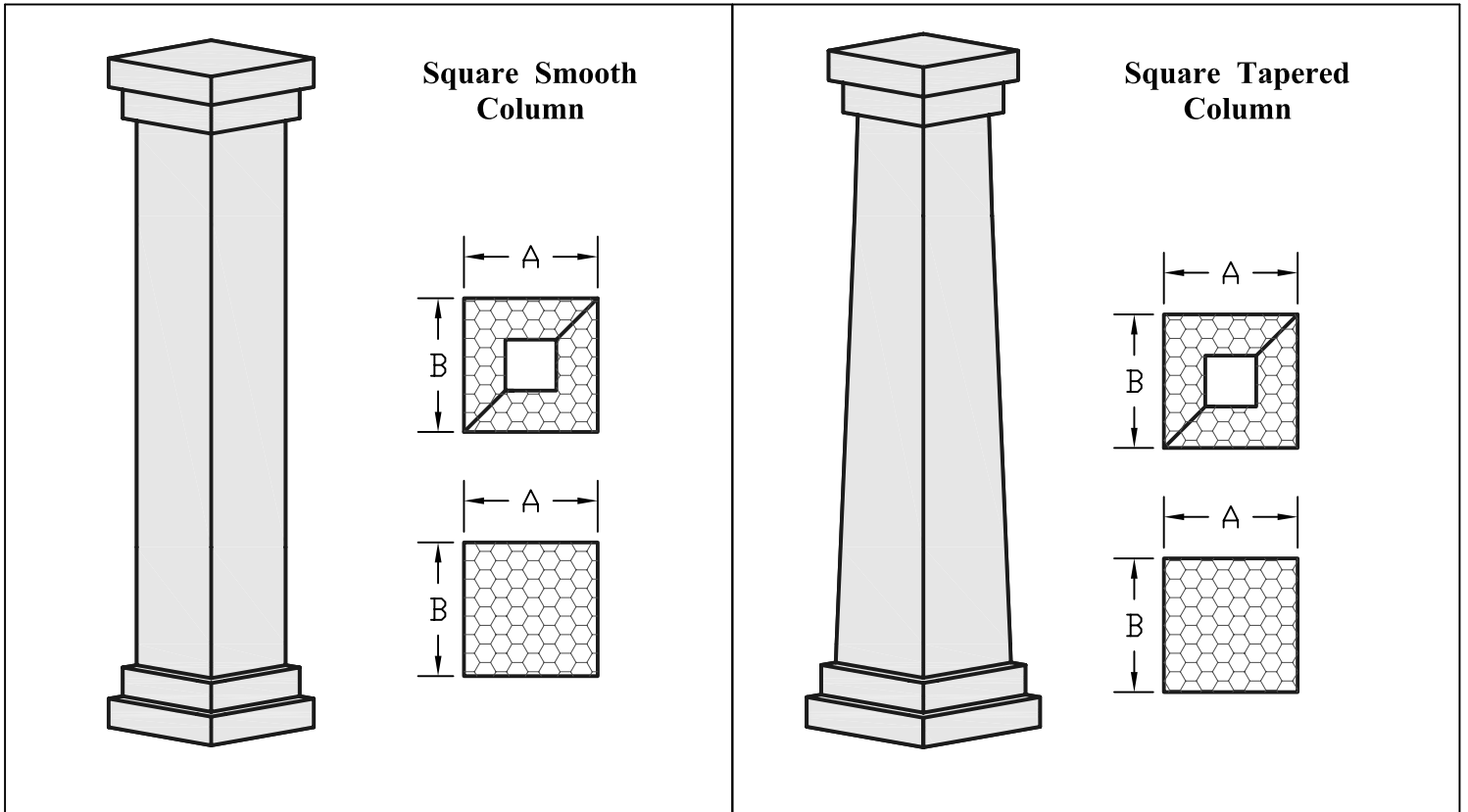


A
13"

B
2 $\frac{1}{2}$ "

FILE#
2412031

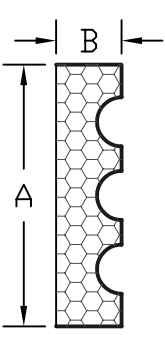
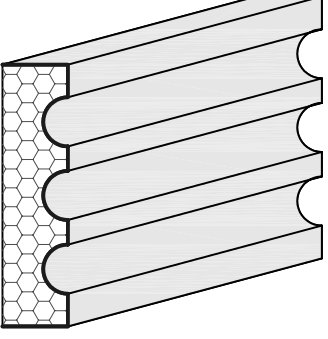
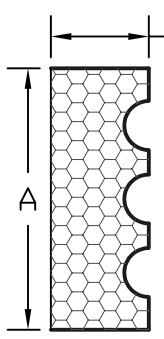
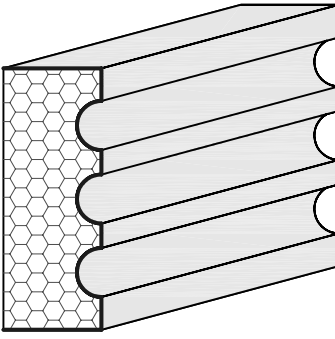
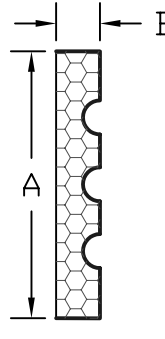
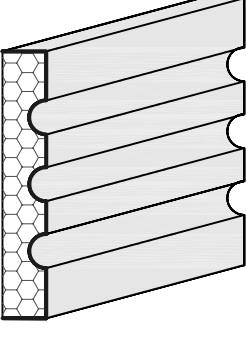
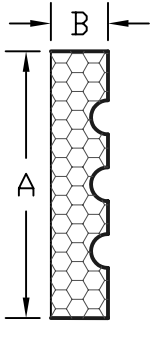
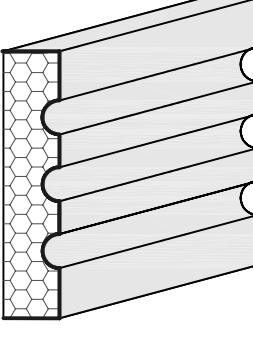
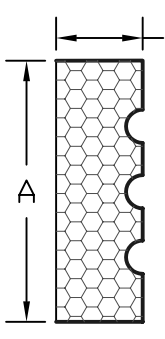
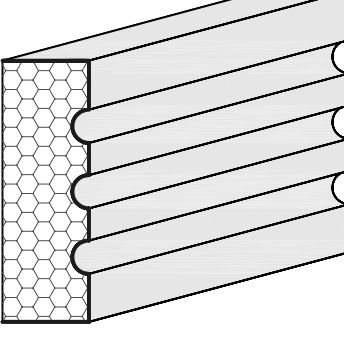
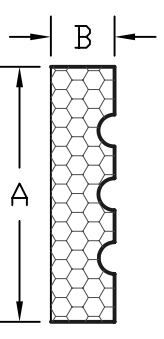
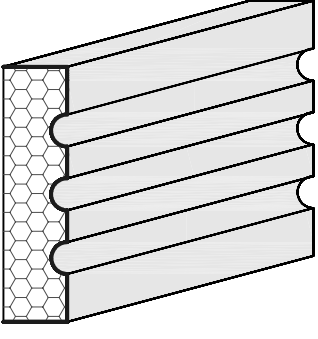
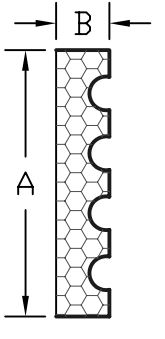
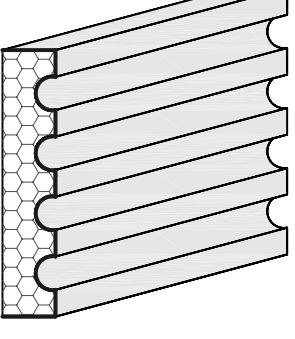
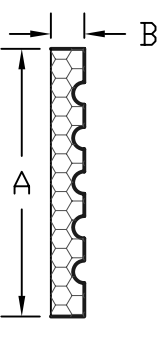
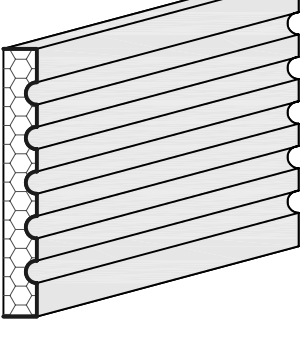
Columns



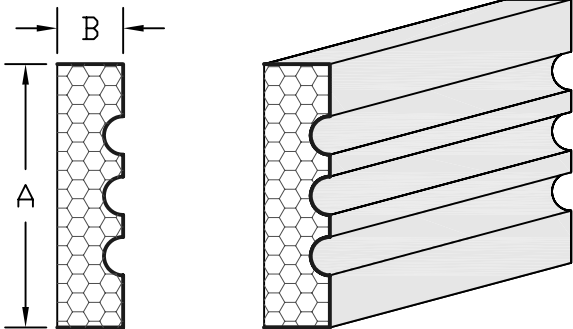
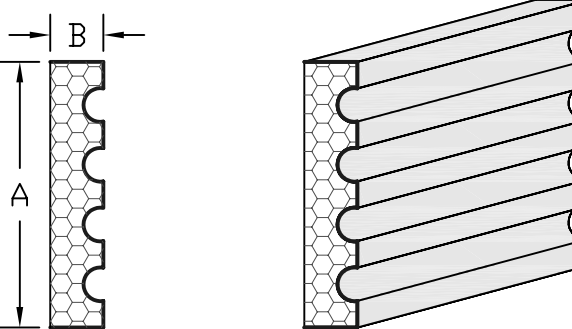
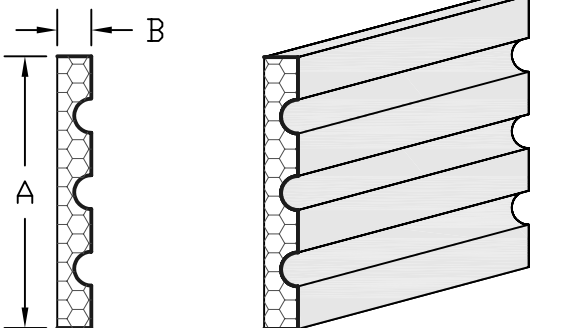
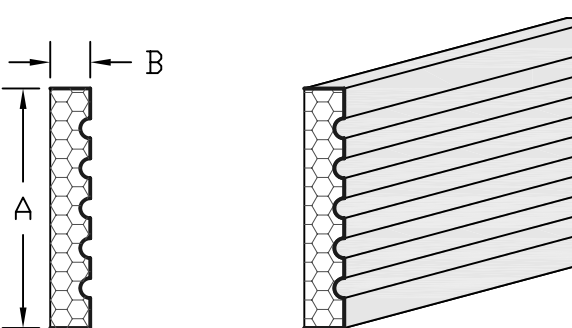
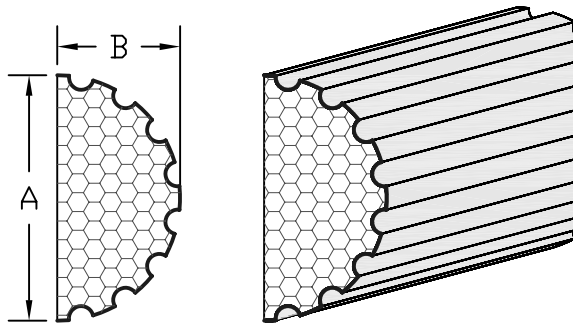
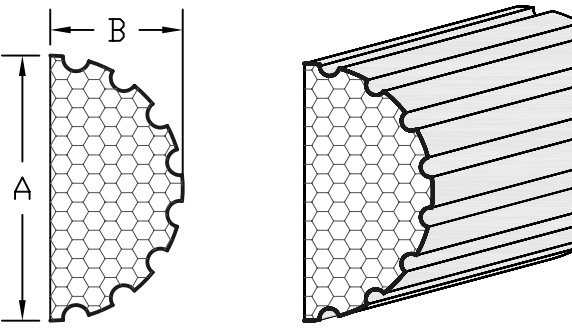
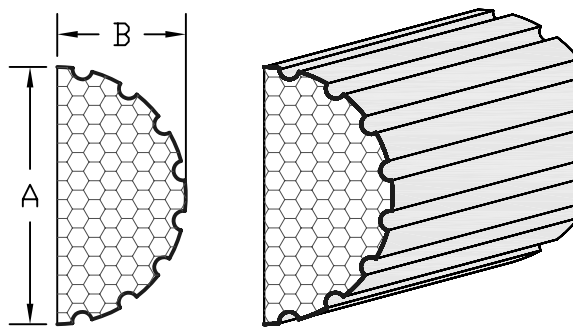
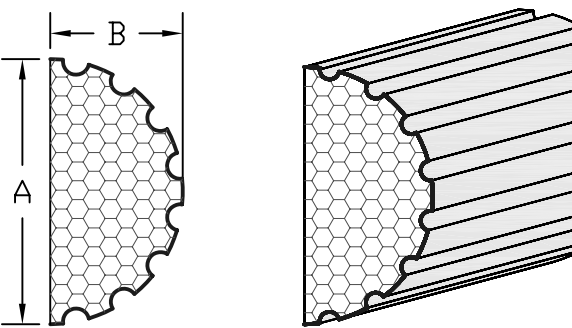
Notes:

- 1) Please see attached Column Pages for available profiles
- 2) Columns Available In Standard Heights of 8' or Taller if Required
- 3) Cap and Base c/w Standard 1" or 2" Offset Per Step
- 4) Tapered Column Dimensions A & B As Required
- 5) Tapered Round Columns Are Also Available

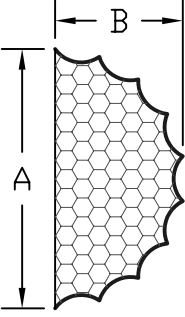
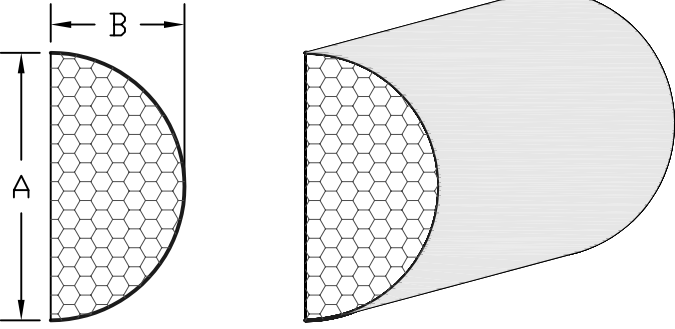
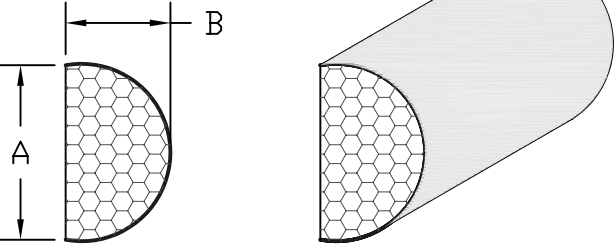
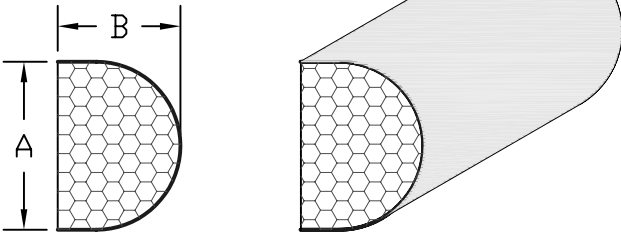
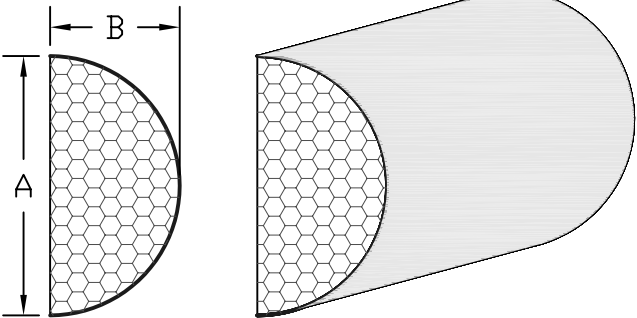
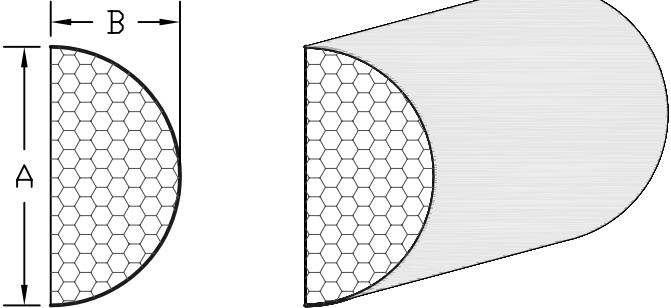
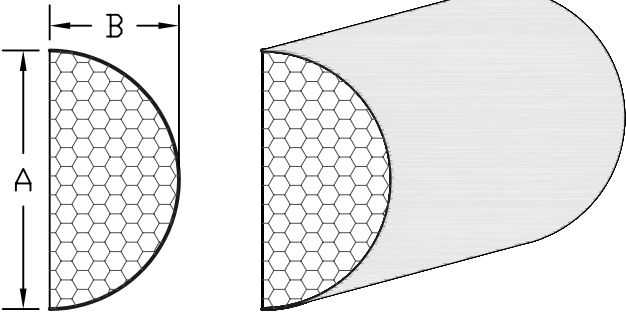
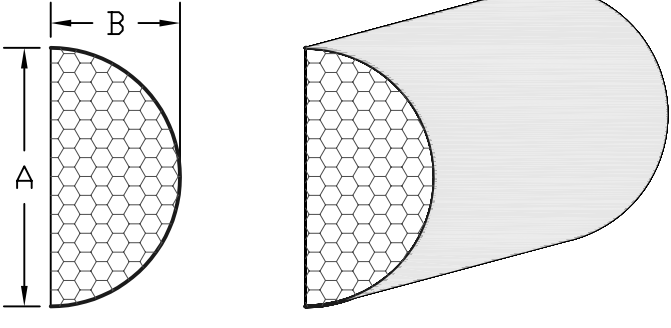
Columns

 <p>A 4"</p> <p>B 1"</p>	 <p>FILE# 2409013</p>	 <p>A 4"</p> <p>B 1½"</p>	 <p>FILE# 2202272</p>
 <p>A 6"</p> <p>B 1"</p>	 <p>FILE# Co210828</p>	 <p>A 6"</p> <p>B 1½"</p>	 <p>FILE# 2305143</p>
 <p>A 6"</p> <p>B 2"</p>	 <p>FILE# 2304021</p>	 <p>A 8"</p> <p>B 2"</p>	 <p>FILE# CO9960</p>
 <p>A 10"</p> <p>B 2"</p>	 <p>FILE# 2111081</p>	 <p>A 12"</p> <p>B 1½"</p>	 <p>FILE# 2501101</p>

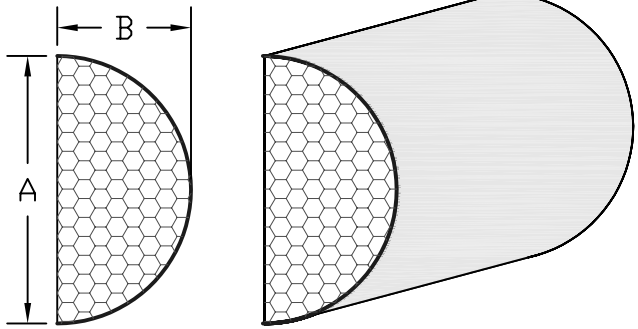
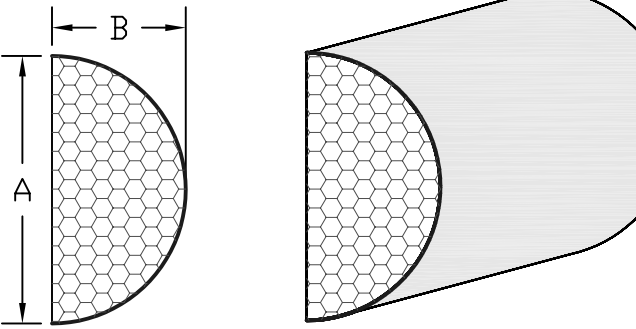
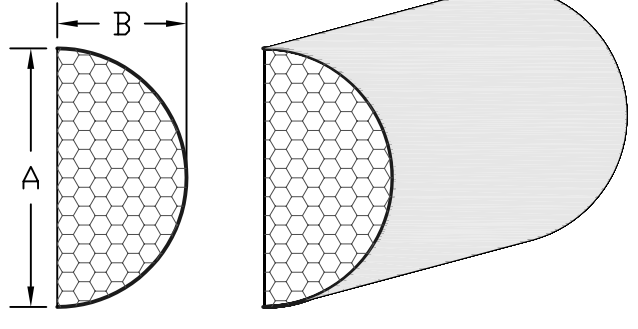
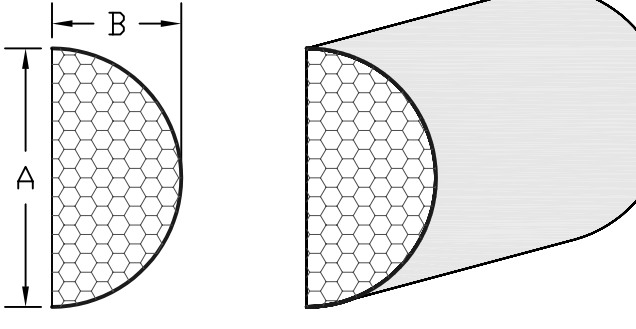
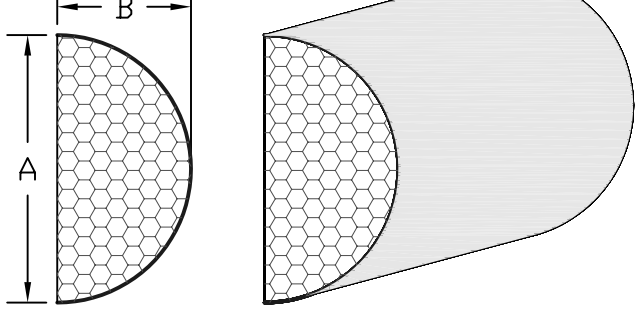
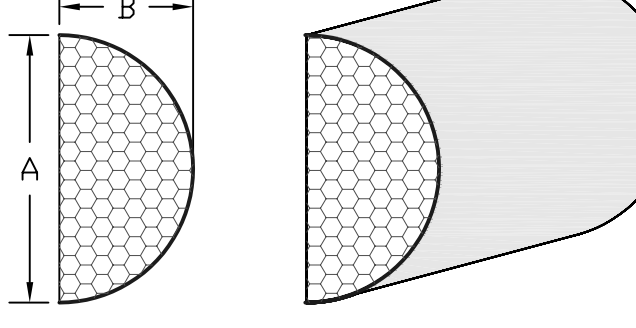
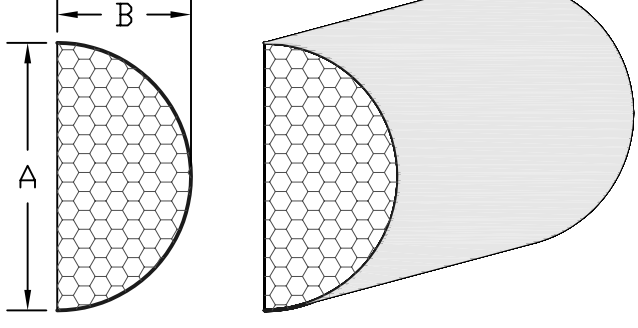
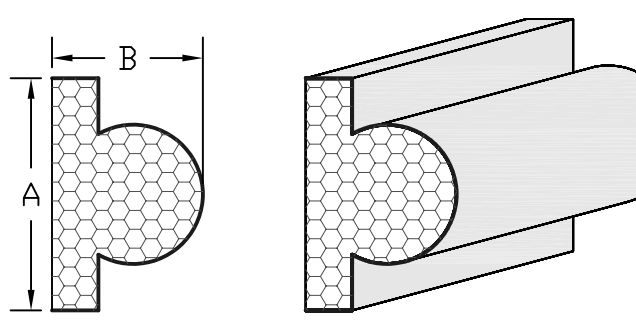
Columns

 <p>A B 12" 3"</p> <p>FILE# 2210281</p>	 <p>A B 14" 2"</p> <p>FILE# 2106085</p>
 <p>A B 16" 2"</p> <p>FILE# 2201312</p>	 <p>A B 18" 3"</p> <p>FILE# 2311251</p>
 <p>A B 10" 5"</p> <p>FILE# 2110261</p>	 <p>A B 12" 6"</p> <p>FILE# 211191</p>
 <p>A B 13" 6$\frac{1}{2}$"</p> <p>FILE# 2111012</p>	 <p>A B 15" 7$\frac{1}{2}$"</p> <p>FILE# 2311136</p>

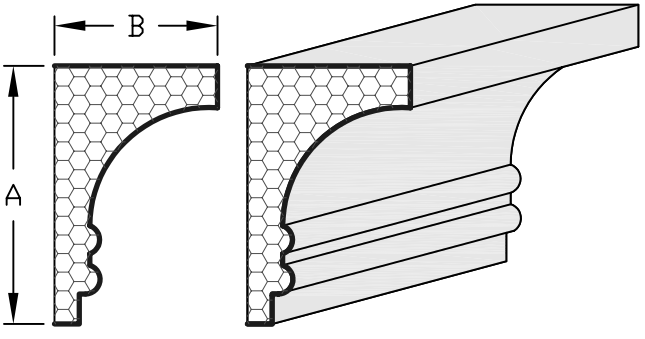
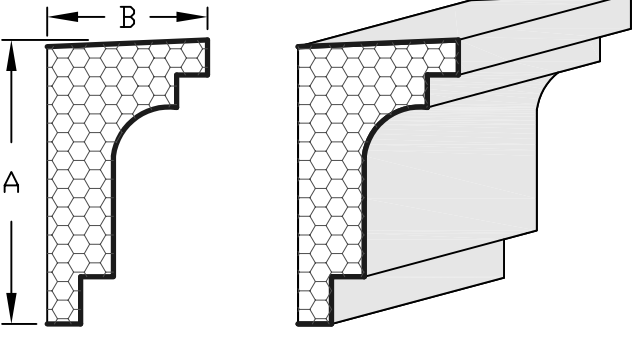
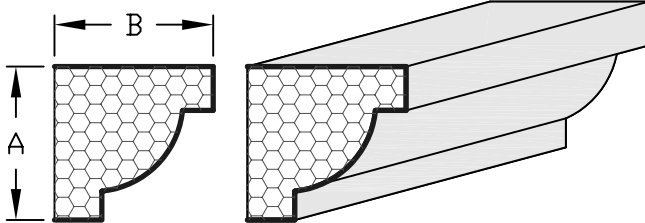
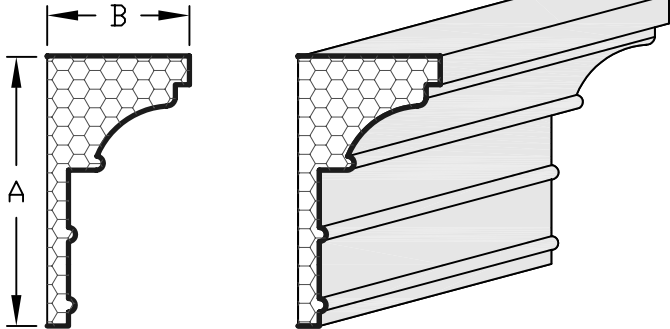
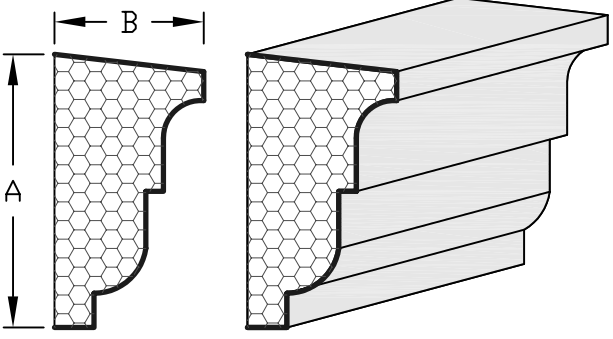
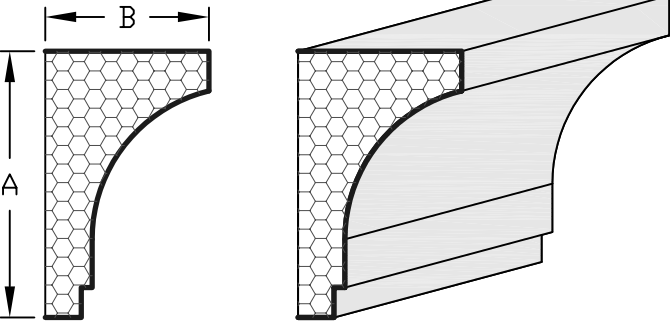
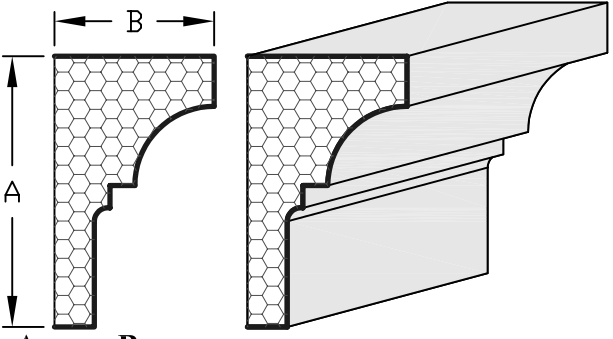
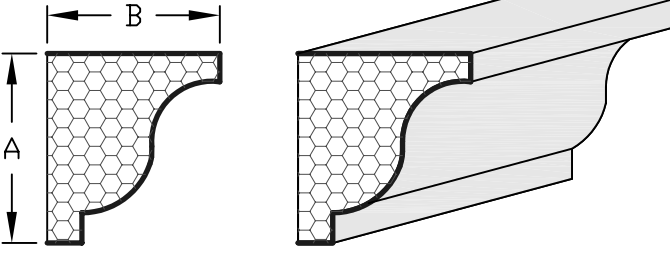
Columns

 <p>A 24"</p> <p>B 11$\frac{13}{16}$"</p> <p>FILE# 2302283</p>	 <p>A 8"</p> <p>B 4"</p> <p>FILE# 2201241</p>
 <p>A 2$\frac{1}{2}$"</p> <p>B 1$\frac{1}{2}$"</p> <p>FILE# 2405063</p>	 <p>A 3$\frac{1}{4}$"</p> <p>B 2$\frac{3}{8}$"</p> <p>FILE# 2306033</p>
 <p>A 10"</p> <p>B 5"</p> <p>FILE# EUR004</p>	 <p>A 10$\frac{1}{2}$"</p> <p>B 5$\frac{1}{4}$"</p> <p>FILE# 2208191</p>
 <p>A 11"</p> <p>B 5$\frac{1}{2}$"</p> <p>FILE# 2311241</p>	 <p>A 12"</p> <p>B 6"</p> <p>FILE# 2201282</p>

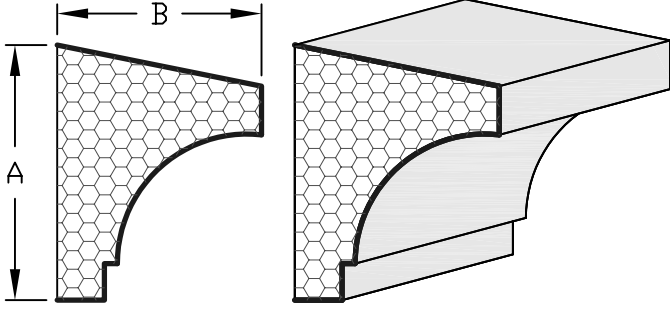
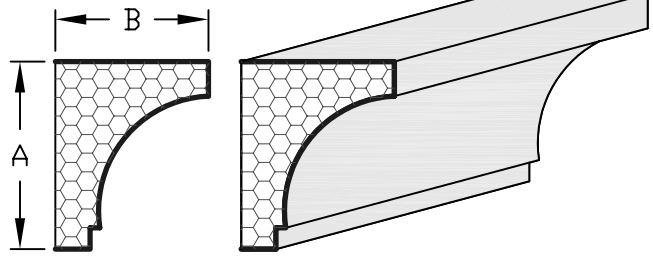
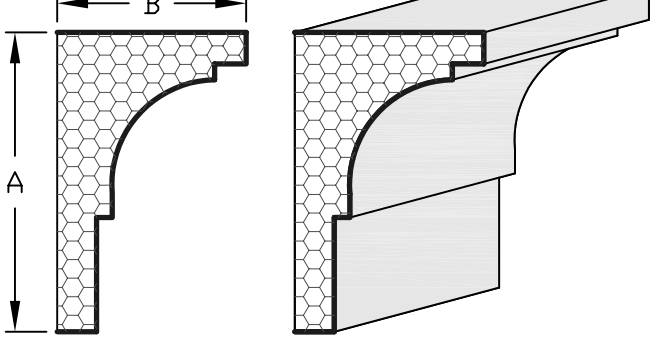
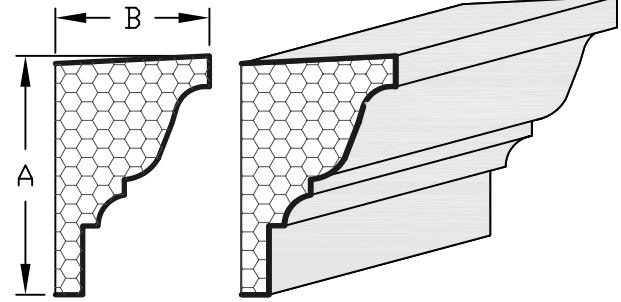
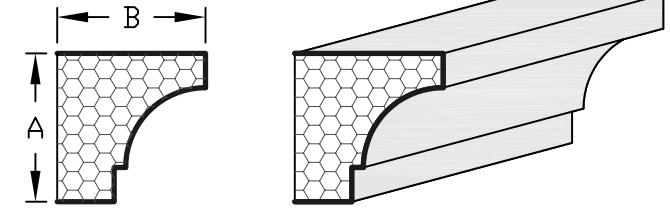
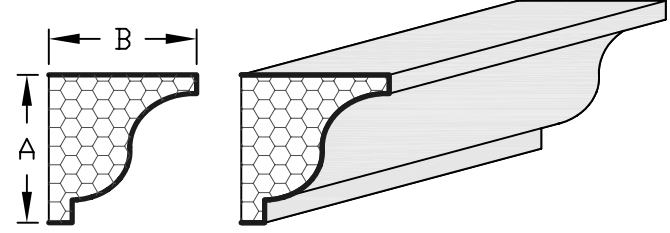
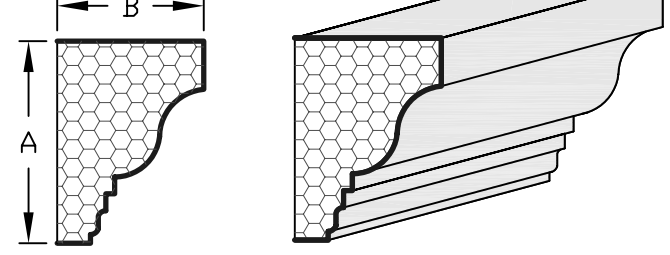
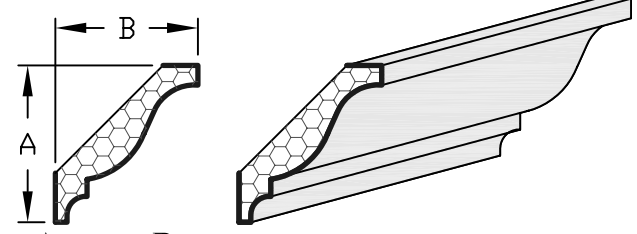
Columns

 <p>A 13"</p> <p>B 6½"</p> <p>FILE# 2203064</p>	 <p>A 14"</p> <p>B 7"</p> <p>FILE# 2207222</p>
 <p>A 15"</p> <p>B 7½"</p> <p>FILE# 2204082</p>	 <p>A 16"</p> <p>B 8"</p> <p>FILE# 2209301</p>
 <p>A 18"</p> <p>B 9"</p> <p>FILE# 2111222</p>	 <p>A 20"</p> <p>B 10"</p> <p>FILE# 2309011</p>
 <p>A 24"</p> <p>B 12"</p> <p>FILE# 2111223</p>	 <p>A 7½"</p> <p>B 4¾"</p> <p>FILE# 2111277</p>

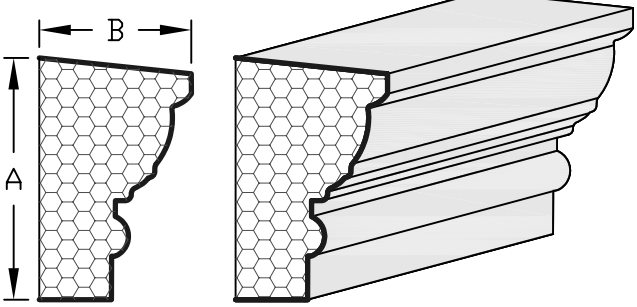
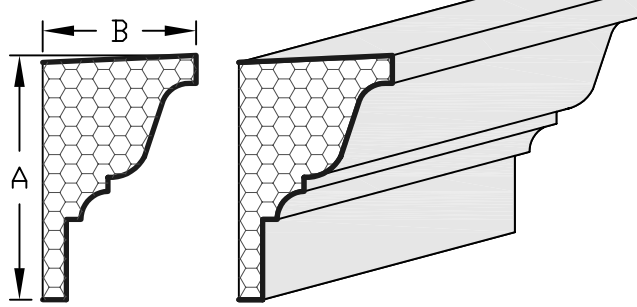
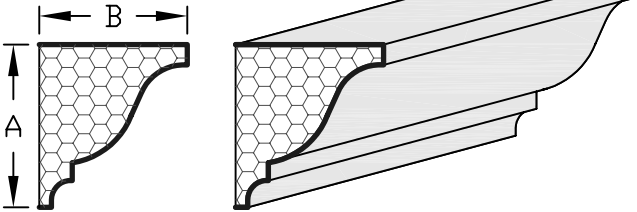
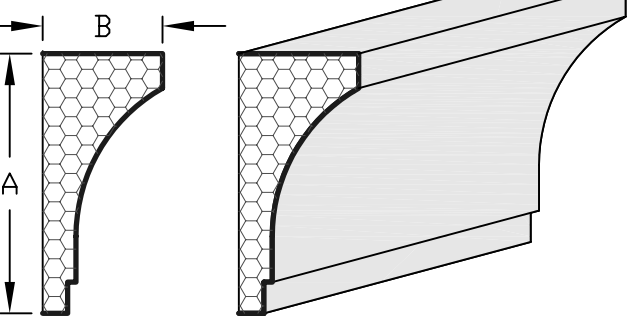
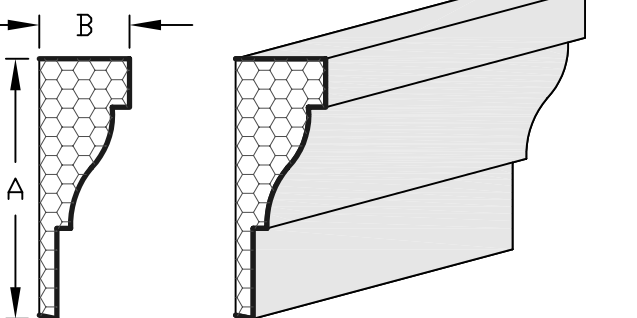
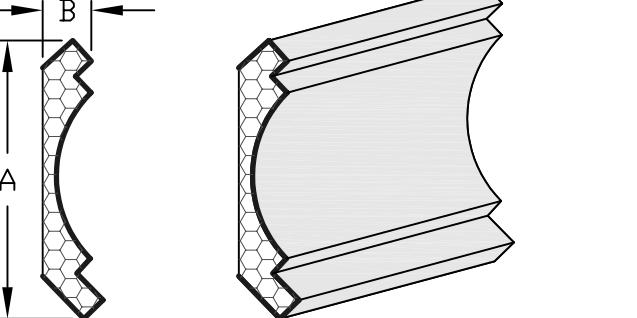
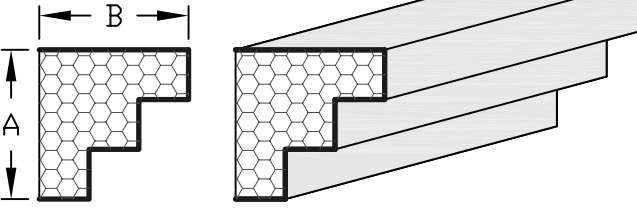
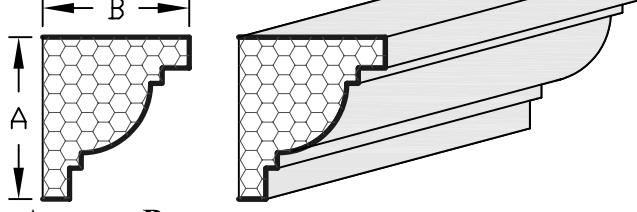
Cornices

 <p>A B FILE# $6\frac{1}{2}''$ $4\frac{1}{8}''$ CN9901</p>	 <p>A B FILE# $18''$ $10''$ CN9903</p>
 <p>A B FILE# $3\frac{5}{8}''$ $3\frac{3}{4}''$ CN9916</p>	 <p>A B FILE# $19''$ $10''$ CN9927</p>
 <p>A B FILE# $6\frac{1}{2}''$ $3\frac{1}{4}''$ CN9974S * Also Available Without A Slope</p>	 <p>A B FILE# $13''$ $8''$ CN9981</p>
 <p>A B FILE# $8\frac{1}{2}''$ $5''$ CN9982</p>	 <p>A B FILE# $8''$ $7\frac{1}{4}''$ CN9983</p>

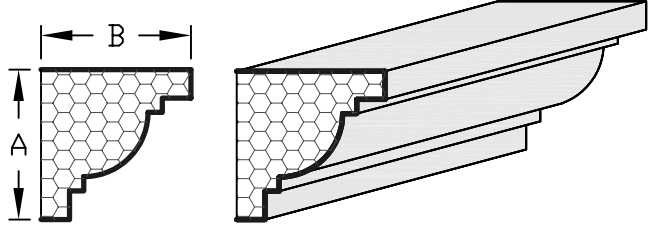
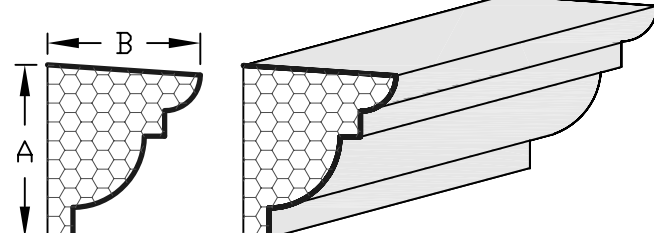
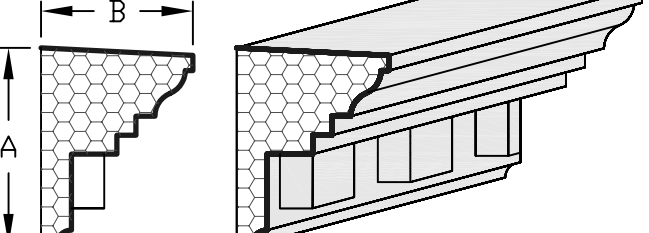
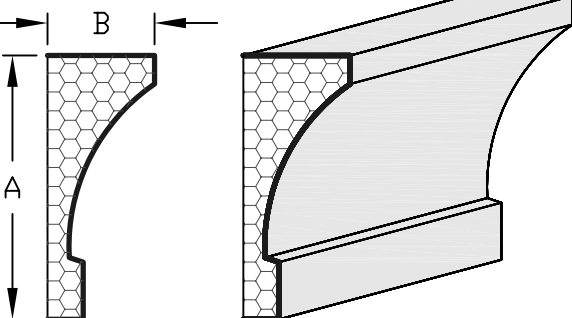
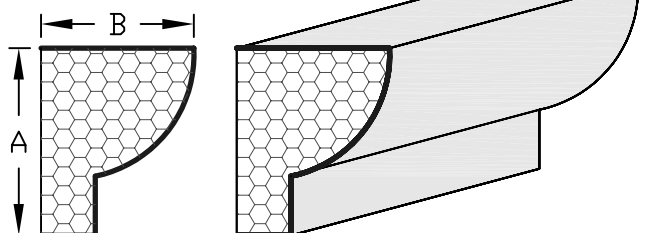
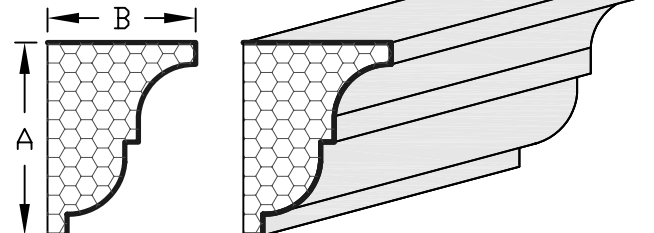
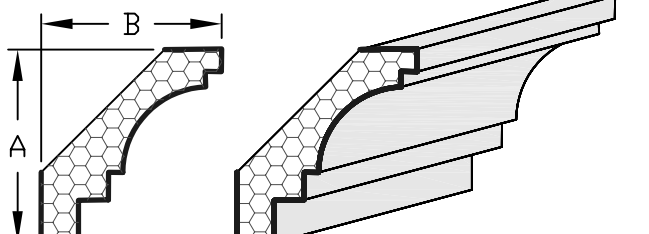
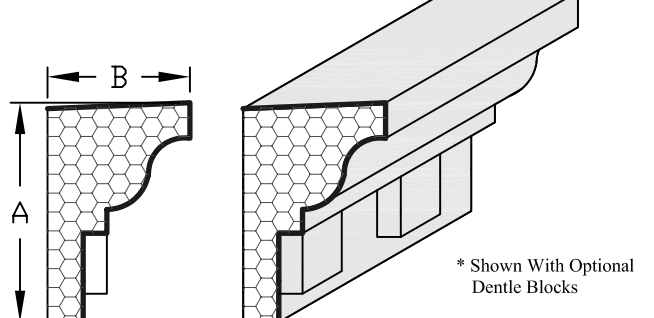
Cornices

 <p>A B $10\frac{1}{4}"$ $8"$</p> <p>FILE# CN9990</p>	 <p>A B $12\frac{3}{8}"$ $10\frac{1}{8}"$</p> <p>FILE# CN9991</p>
 <p>A B $9\frac{1}{2}"$ $6"$</p> <p>FILE# CN9992</p>	 <p>A B $7\frac{3}{4}"$ $5"$</p> <p>FILE# EUR008</p>
 <p>A B $3\frac{1}{4}"$ $3\frac{1}{4}"$</p> <p>FILE# EUR019</p>	 <p>A B $3\frac{3}{8}"$ $3\frac{3}{8}"$</p> <p>FILE# EUR020</p>
 <p>A B $6\frac{1}{4}"$ $4\frac{1}{2}"$</p> <p>FILE# EUR021</p>	 <p>A B $5\frac{1}{4}"$ $4\frac{3}{4}"$</p> <p>FILE# EUR022</p>

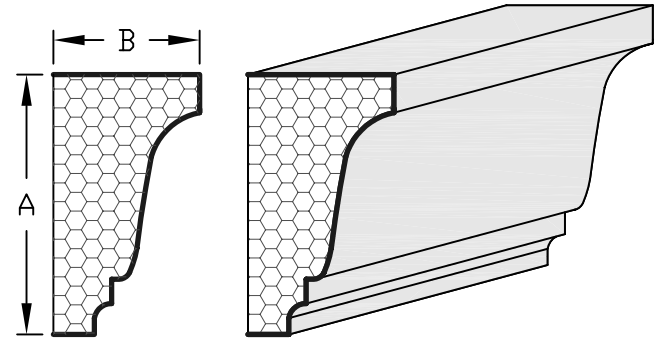
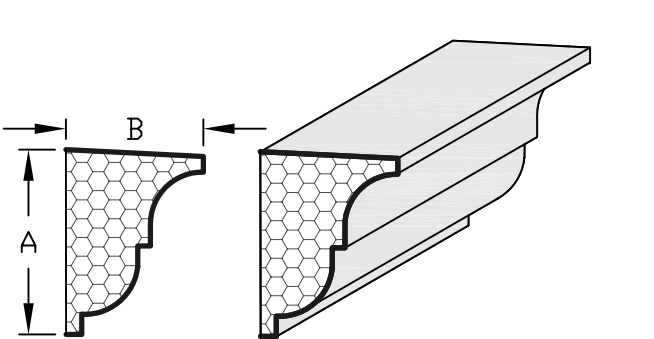
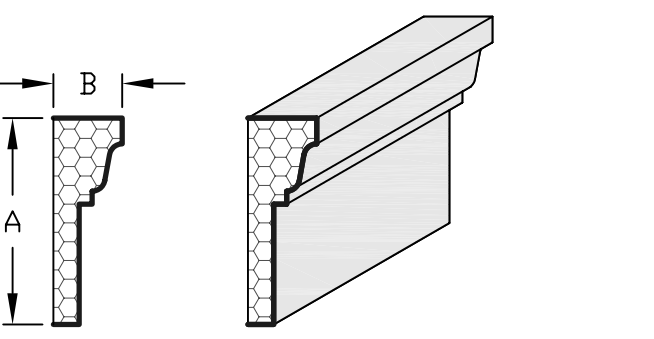
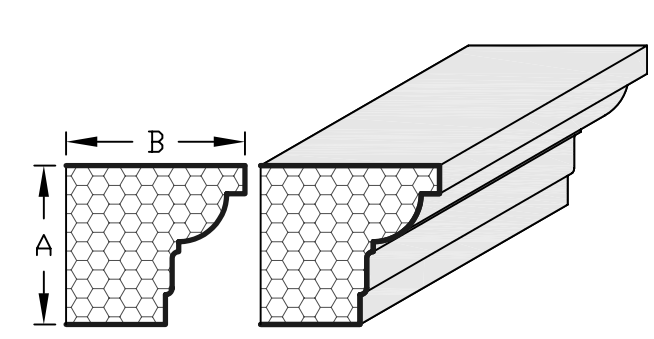
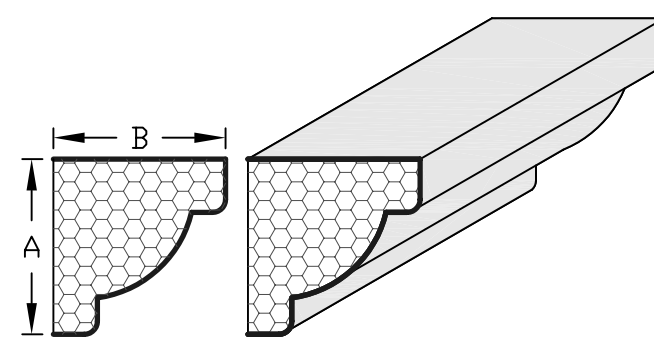
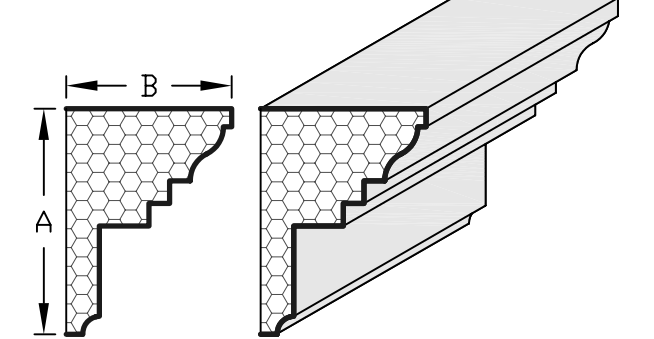
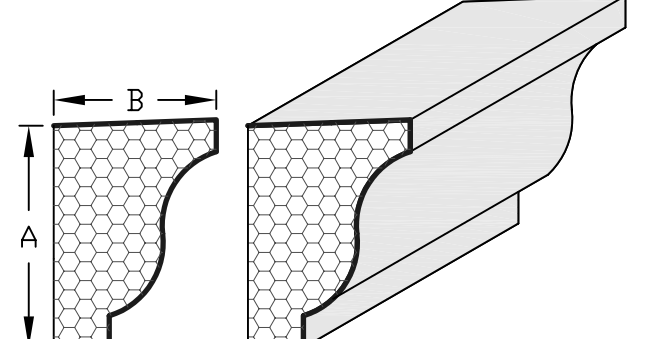
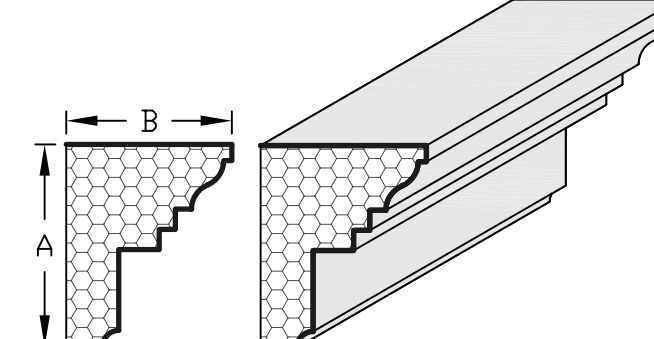
Cornices

 <p>A B $7\frac{3}{4}"$ $4\frac{7}{8}"$</p> <p>FILE# 2107251</p>	 <p>A B FILE# $8\frac{3}{4}"$ $5\frac{1}{2}"$ 2110162</p>
 <p>A B FILE# $5\frac{1}{4}"$ $4\frac{3}{4}"$ 2111076a</p>	 <p>A B FILE# $6\frac{1}{2}"$ $3"$ 2111276</p>
 <p>A B FILE# $18\frac{3}{4}"$ $6\frac{1}{2}"$ 2203151</p>	 <p>A B FILE# $10\frac{1}{4}"$ $2\frac{1}{4}"$ 2203181</p>
 <p>A B FILE# $5\frac{1}{16}"$ $5\frac{1}{16}"$ 2203182</p>	 <p>A B FILE# $10\frac{1}{2}"$ $9\frac{1}{2}"$ 2204086</p>

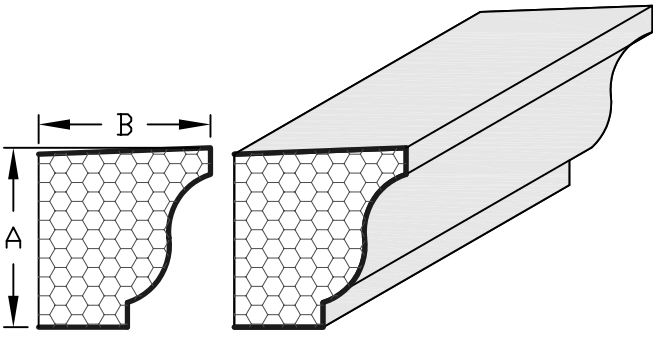
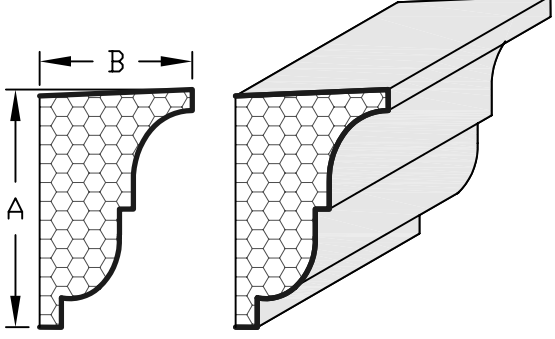
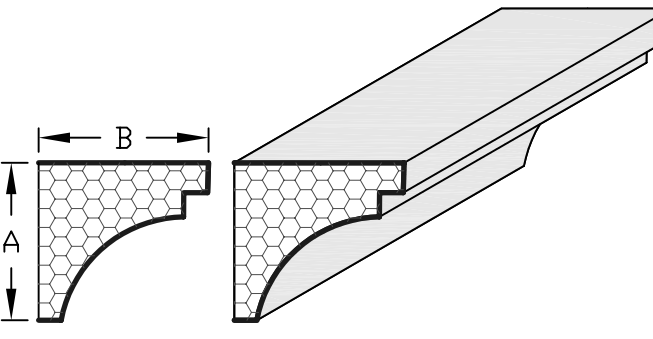
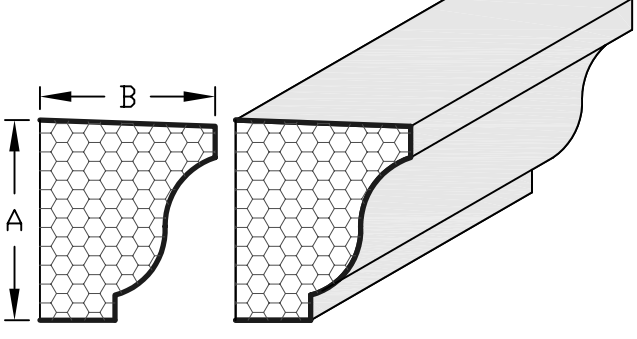
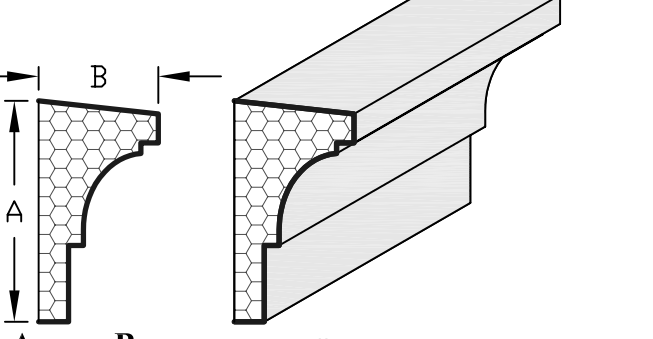
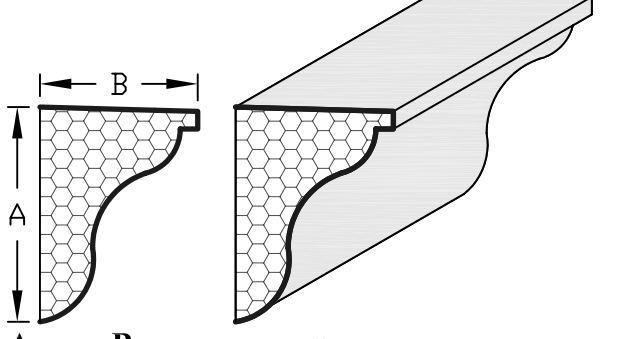
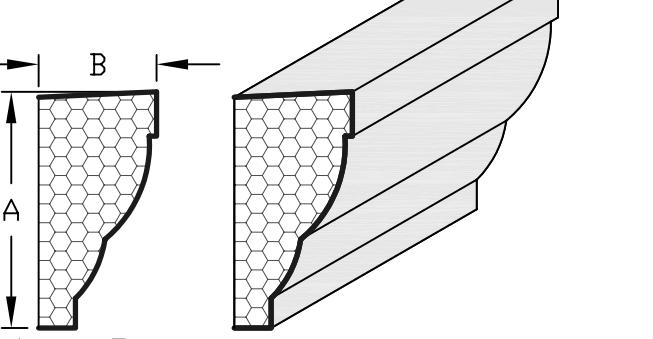
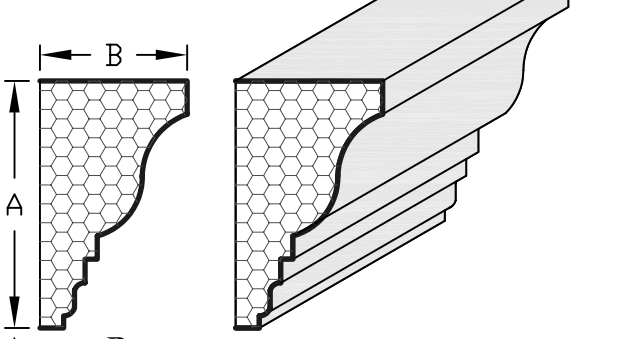
Cornices

 <p>A B 5 1/4" 5 1/4"</p> <p>FILE# 2204087</p>	 <p>A B 17" 15"</p> <p>FILE# 2205145a</p>
 <p>A B 13 3/8" 10"</p> <p>FILE# 2208214</p> <p><small>* Shown With Optional Dentle Blocks</small></p>	 <p>A B 9 1/4" 3 3/4"</p> <p>FILE# 2209171</p>
 <p>A B 9 1/2" 7 3/4"</p> <p>FILE# 2210083</p>	 <p>A B 5 1/4" 4"</p> <p>FILE# 2211266</p>
 <p>A B 10" 9 3/8"</p> <p>FILE# 2211276</p>	 <p>A B 18 1/2" 12"</p> <p>FILE# 2302134e</p> <p><small>* Shown With Optional Dentle Blocks</small></p>

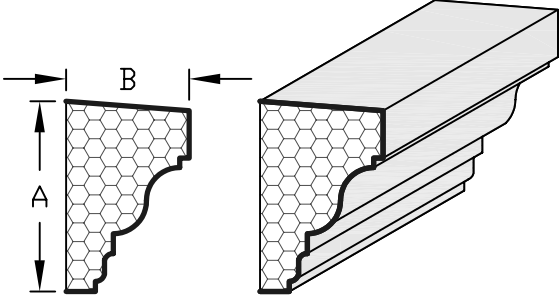
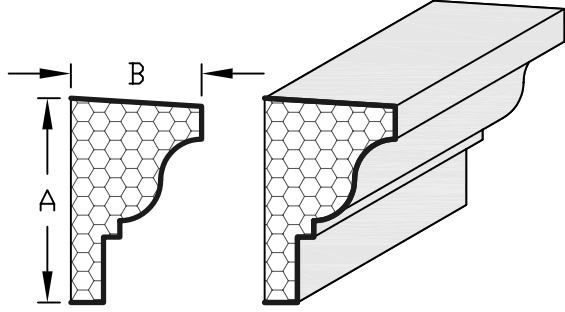
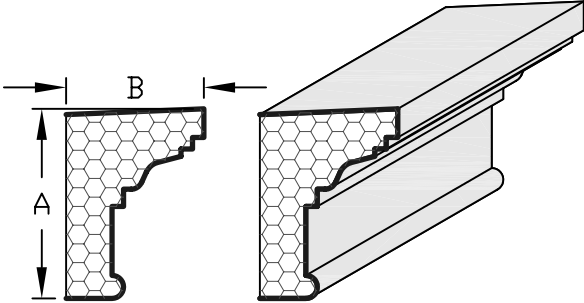
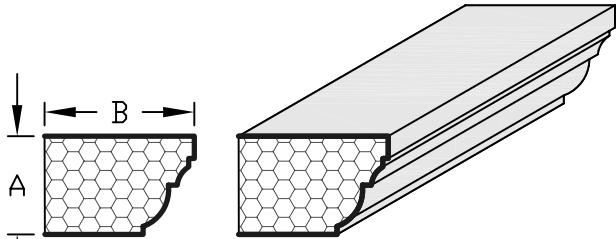
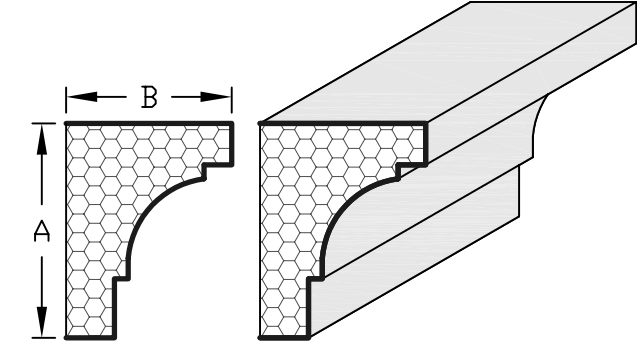
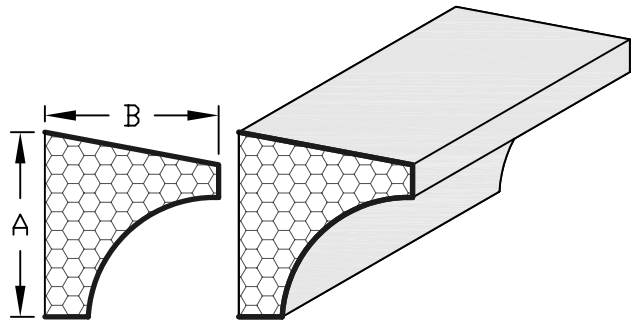
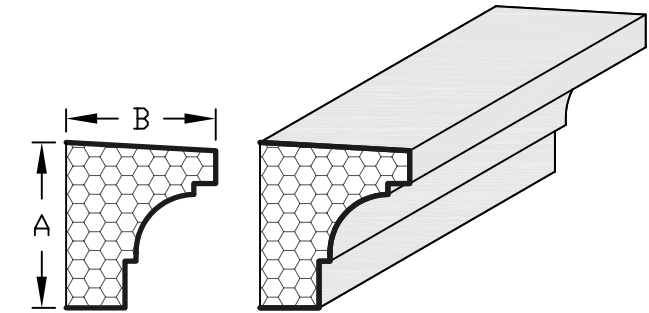
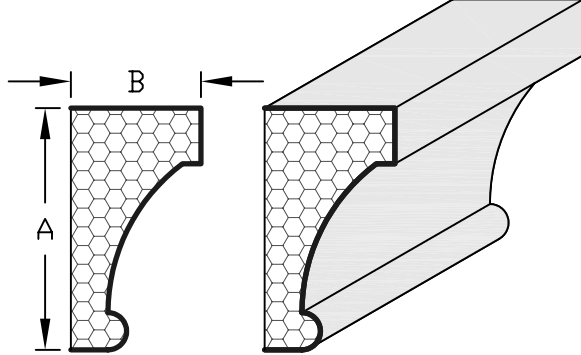
Cornices

 <p>A B 7 ³/₄" 4 ³/₈"</p> <p>FILE# 2305051</p>	 <p>A B 9" 6 ¹¹/₁₆"</p> <p>FILE# 2305121</p>
 <p>A B 6" 2"</p> <p>FILE# 2305122</p>	 <p>A B 6" 6 ³/₄"</p> <p>FILE# 2305294b</p>
 <p>A B 2 ¹/₂" 2 ¹/₂"</p> <p>FILE# 2309243a</p>	 <p>A B 15" 11"</p> <p>FILE# 2311244</p>
 <p>A B 14 ³/₈" 10 ¹/₄"</p> <p>FILE# 2312031</p>	 <p>A B 12 ¹/₂" 10 ¹/₄"</p> <p>FILE# 2401081</p>

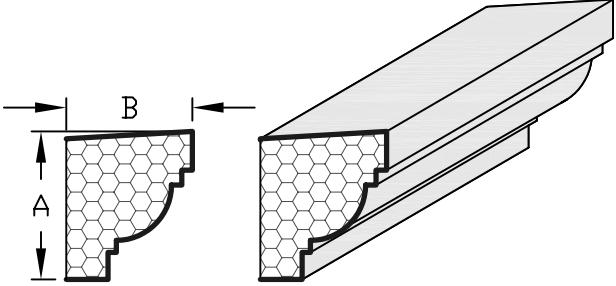
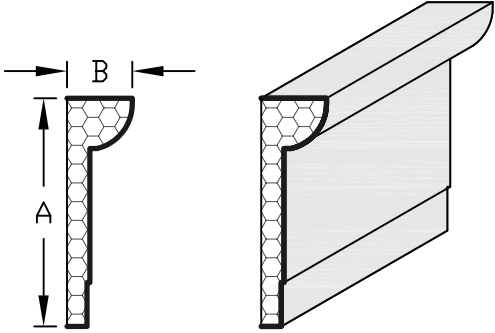
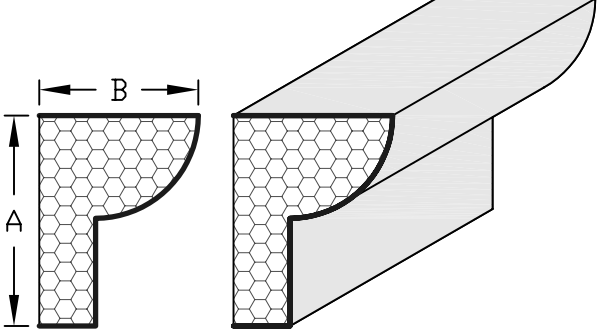
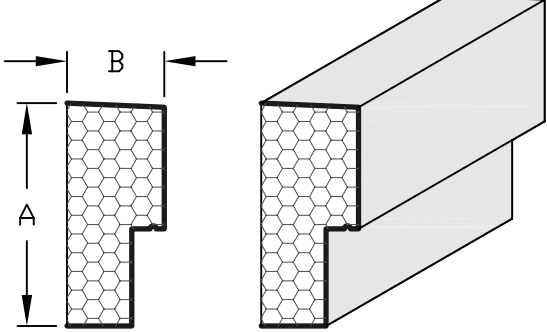
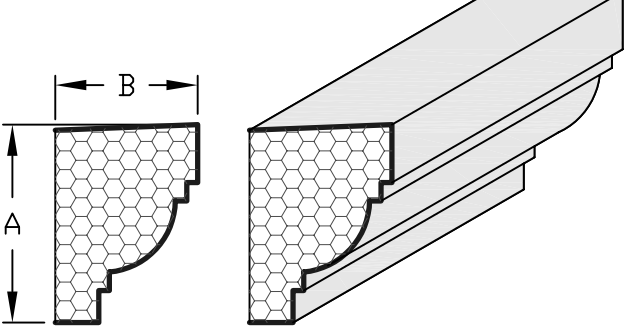
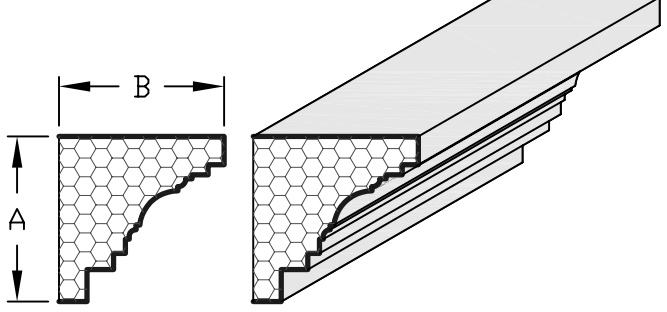
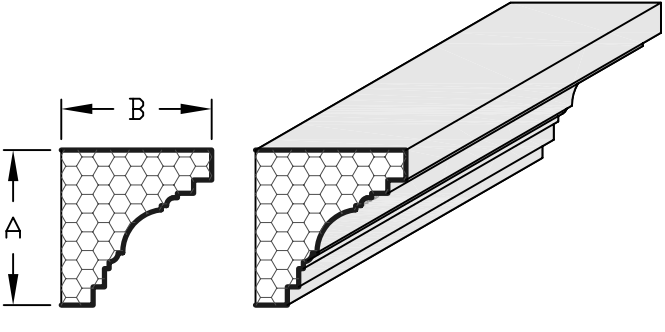
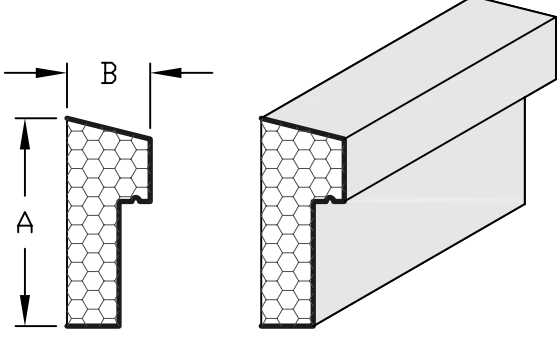
Cornices

 <p>A B 5" 4$\frac{13}{16}$"</p> <p>FILE# 2402053</p>	 <p>A B 14" 9"</p> <p>FILE# 2404211</p>
 <p>A B 5$\frac{3}{8}$" 5$\frac{13}{16}$"</p> <p>FILE# 2403193</p>	 <p>A B 8" 7"</p> <p>FILE# 2403304</p>
 <p>A B 6" 3$\frac{1}{4}$"</p> <p>FILE# 2402111</p>	 <p>A B 24$\frac{1}{2}$" 18"</p> <p>FILE# 2405111a</p>
 <p>A B 16" 8"</p> <p>FILE# 2406171</p>	 <p>A B 5$\frac{1}{2}$" 3$\frac{1}{4}$"</p> <p>FILE# 2406241</p>

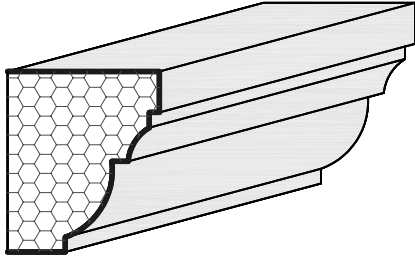
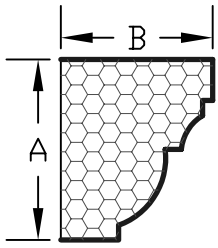
Cornices

 <p>A B 5" 3$\frac{1}{4}$"</p> <p>FILE# 2407093</p>	 <p>A B 6$\frac{1}{4}$" 4"</p> <p>FILE# 2407141</p>
 <p>A B 8$\frac{1}{4}$" 6"</p> <p>FILE# 2409012</p>	 <p>A B 10" 15$\frac{1}{4}$"</p> <p>FILE# 2409021</p>
 <p>A B 7$\frac{3}{4}$" 6"</p> <p>FILE# 2409163a</p>	 <p>A B 17" 16"</p> <p>FILE# 2409282</p>
 <p>A B 5" 4$\frac{1}{2}$"</p> <p>FILE# 2411174</p>	 <p>A B 13" 7"</p> <p>FILE# 2411262</p>

Cornices

 <p>A B FILE# $7\frac{5}{8}"$ $6\frac{1}{2}"$ 2412173c</p>	 <p>A B FILE# $20"$ $5\frac{3}{4}"$ 2501034</p>
 <p>A B FILE# $10\frac{1}{4}"$ $7\frac{3}{4}"$ 2501036</p>	 <p>A B FILE# $13\frac{3}{4}"$ $6"$ 2502021</p>
 <p>A B FILE# $9"$ $6\frac{1}{2}"$ 2502221</p>	 <p>A B FILE# $10\frac{1}{4}"$ $10\frac{1}{4}"$ 2502245</p>
 <p>A B FILE# $8\frac{1}{4}"$ $8\frac{1}{2}"$ 2502246</p>	 <p>A B FILE# $10"$ $4"$ 2503092a</p>

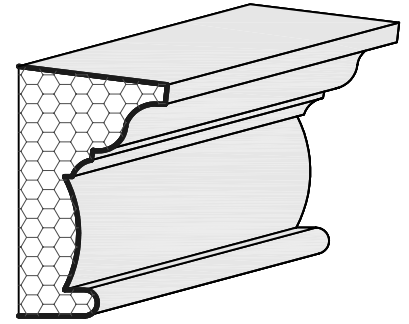
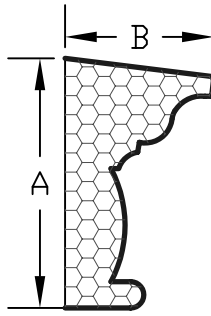
Headers



A
4 $\frac{3}{8}$ "

B
3 $\frac{5}{8}$ "

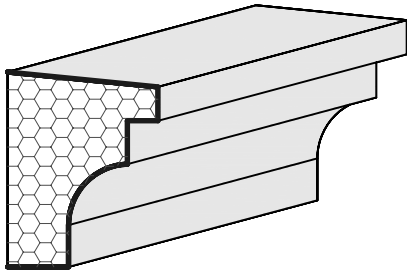
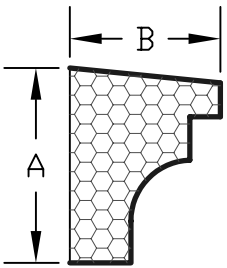
FILE#
SL9963



A
4 $\frac{3}{4}$ "

B
2 $\frac{13}{16}$ "

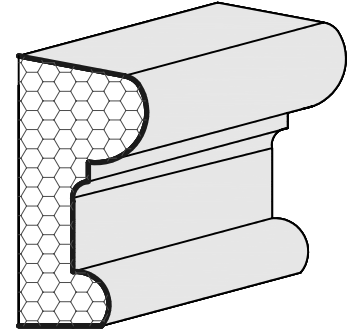
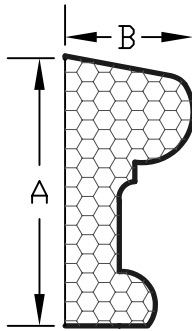
FILE#
2108221



A
6 $\frac{1}{2}$ "

B
5"

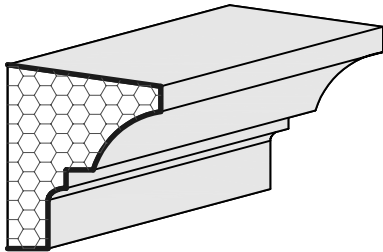
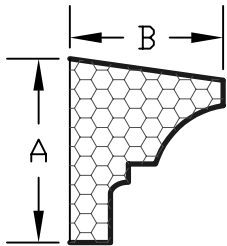
FILE#
2110032



A
8 $\frac{5}{8}$ "

B
4 $\frac{1}{8}$ "

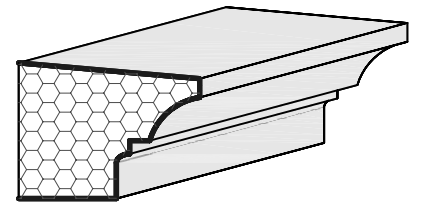
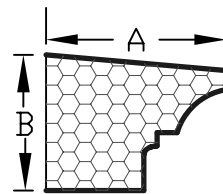
FILE#
2110151



A
6"

B
5"

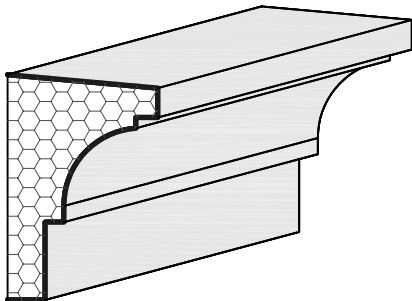
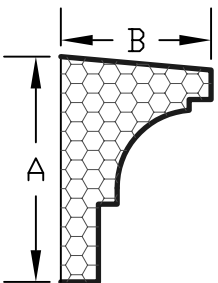
FILE#
2111053



A
6"

B
8"

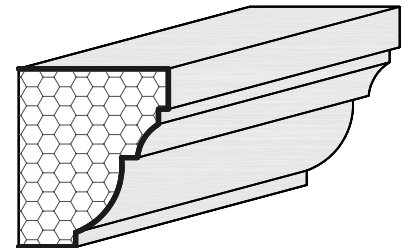
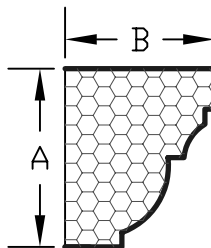
FILE#
2111054



A
9"

B
6"

FILE#
2208203

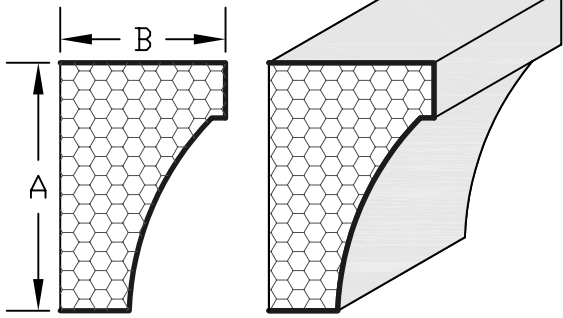
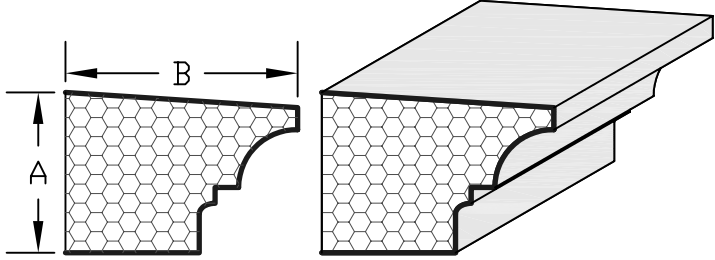
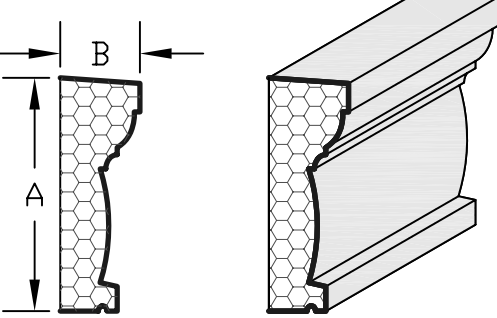
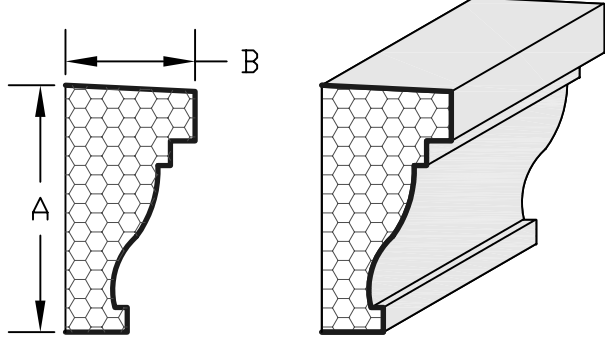
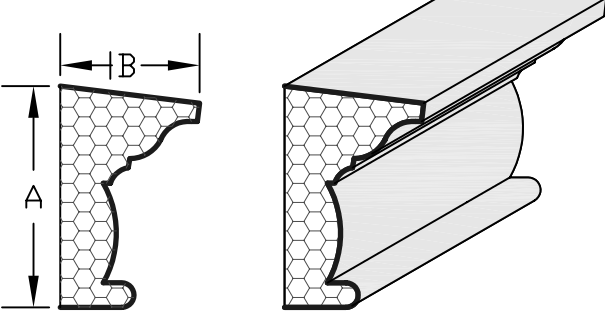
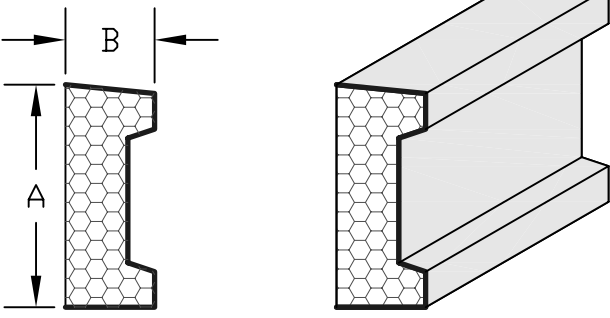
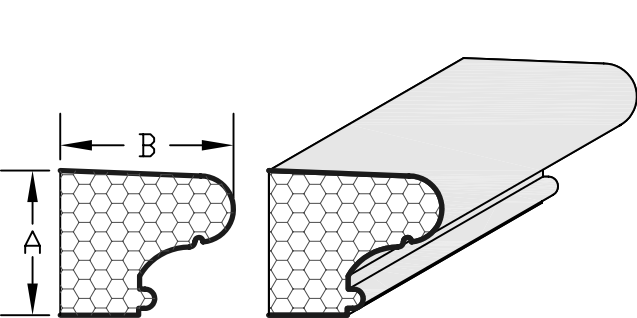
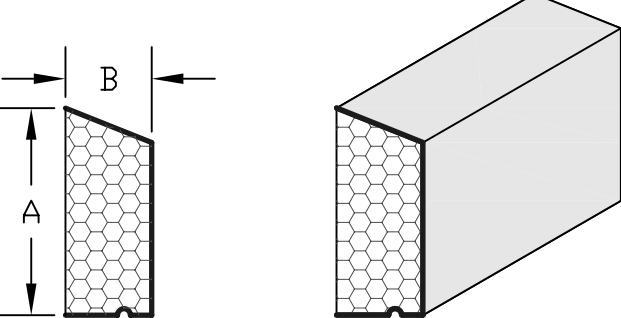


A
10"

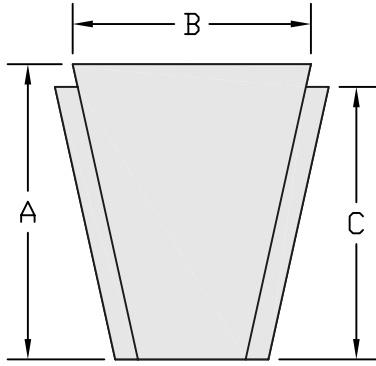
B
8 $\frac{3}{8}$ "

FILE#
2209242

Headers

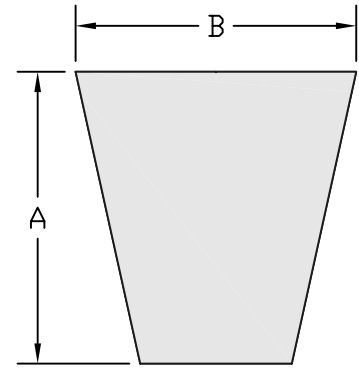
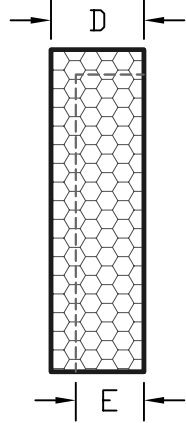
 <p>A B FILE# $4\frac{1}{2}''$ $3''$ 2304232a</p>	 <p>A B FILE# $6''$ $8\frac{11}{16}''$ 2312171</p>
 <p>A B FILE# $10\frac{1}{4}''$ $3\frac{1}{2}''$ 2401151</p>	 <p>A B FILE# $10''$ $5\frac{1}{4}''$ 2407163</p>
 <p>A B FILE# $4\frac{1}{2}''$ $2\frac{13}{16}''$ 2408064</p>	 <p>A B FILE# $6\frac{1}{4}''$ $2\frac{1}{2}''$ 2411021</p>
 <p>A B FILE# $6\frac{5}{8}''$ $7\frac{15}{16}''$ 2411252a</p>	 <p>A B FILE# $6''$ $2\frac{1}{2}''$ 2503093a</p>

Keystones and Quoins



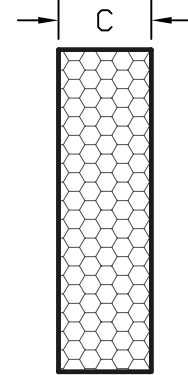
Standard Dimensions*

KS9901	KS9902
A 13"	A 8 1/2"
B 10 1/2"	B 8 1/2"
C 11 1/2"	C 7"
D 3 3/4"	D 3 3/4"
E 2 3/4"	E 2 3/4"

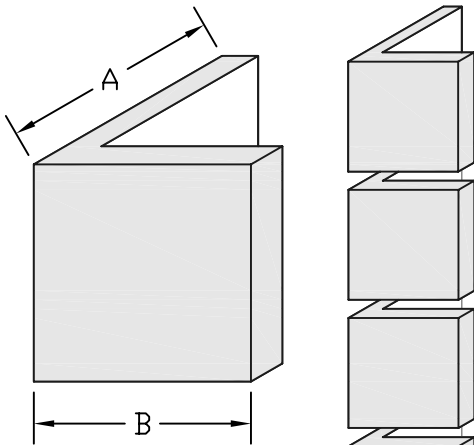


Standard Dimensions*

KS9903	KS9904
A 13"	A 8 1/2"
B 10 1/2"	B 8 1/2"
C 3 3/4"	C 3 3/4"

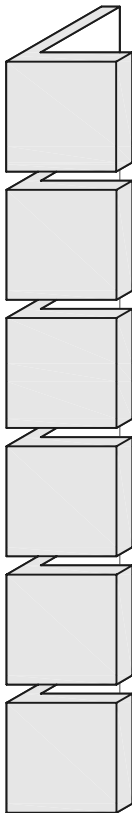
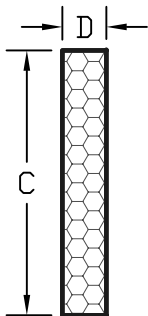


FILE# QN9901

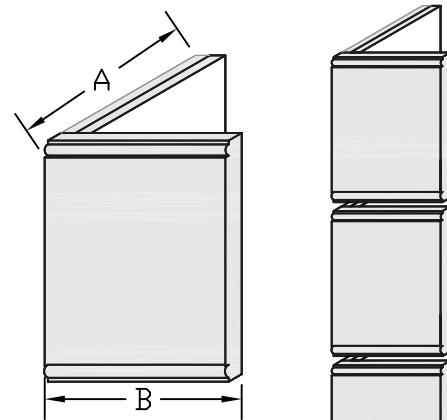


Standard Dimensions*

A 12"
B 12"
C 12"
D 1 1/2"

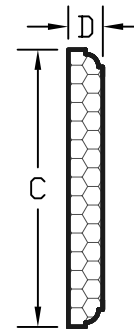


FILE# QN9902



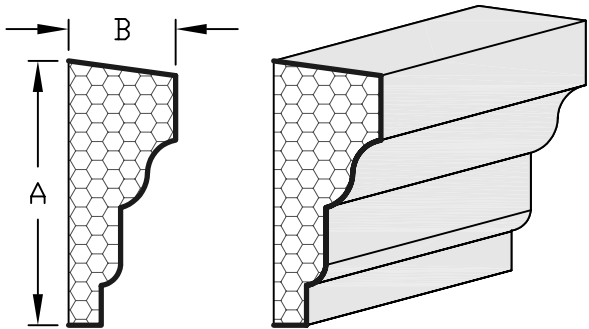
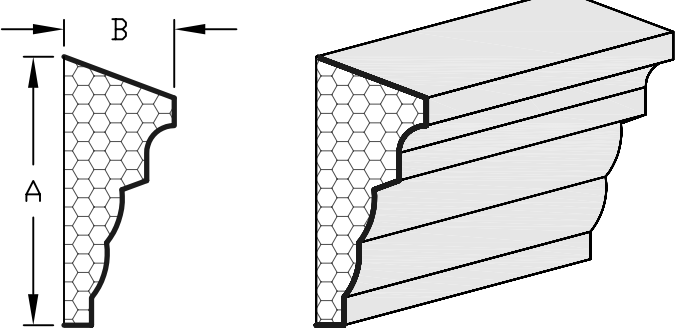
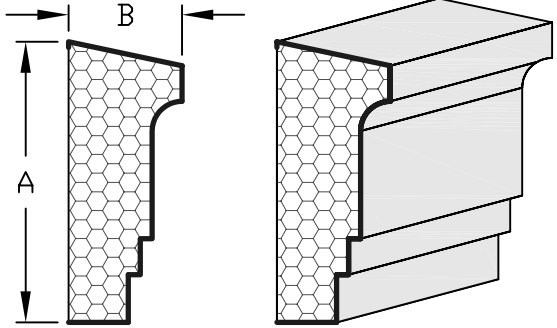
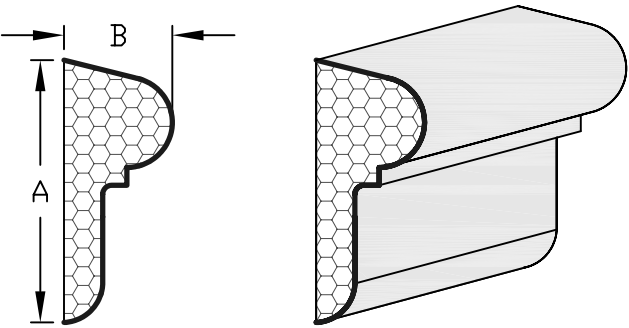
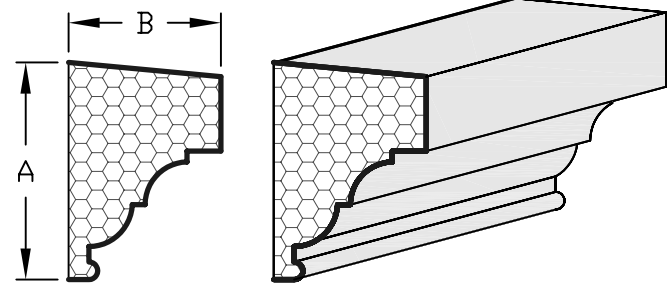
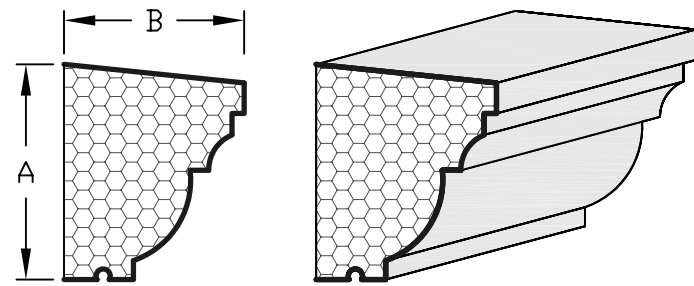
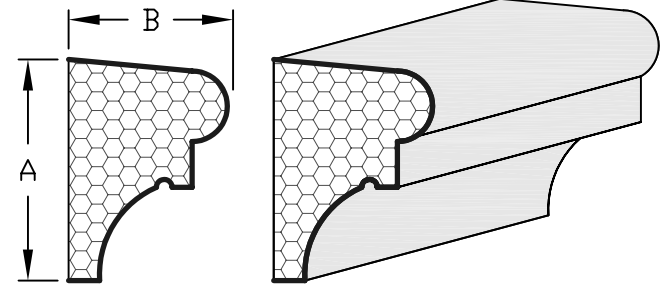
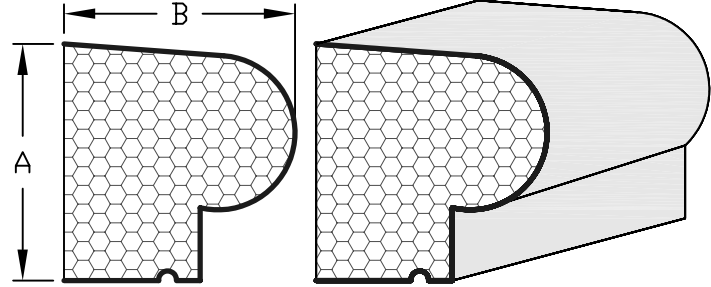
Standard Dimensions*

A 12"
B 12"
C 16"
D 2"

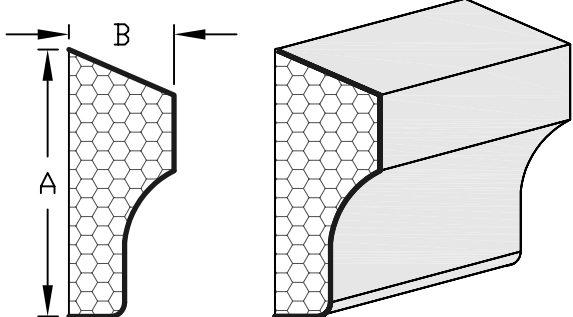
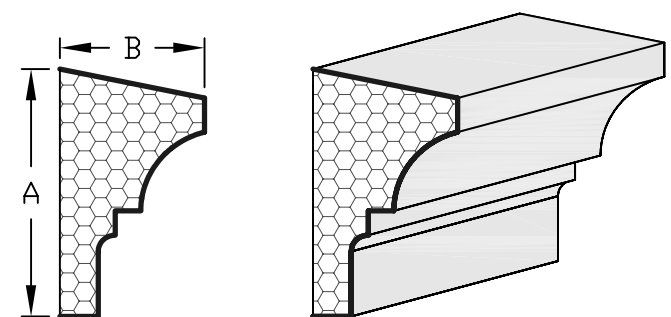
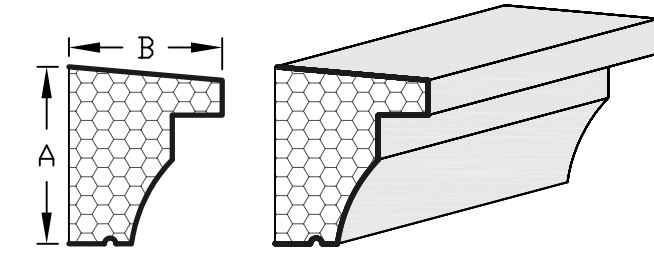
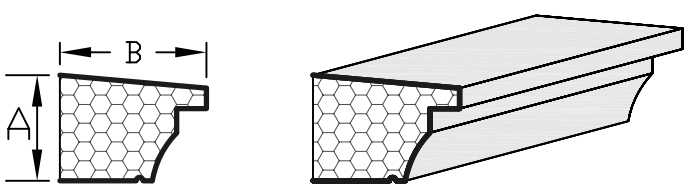
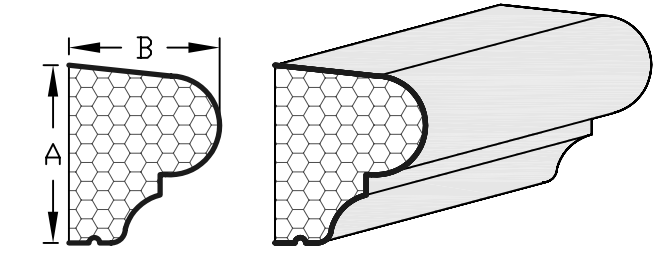
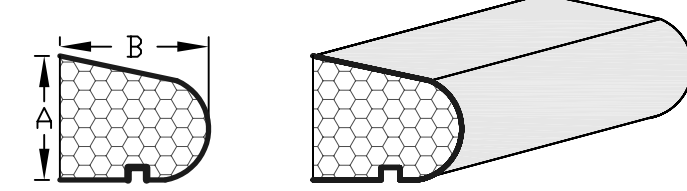
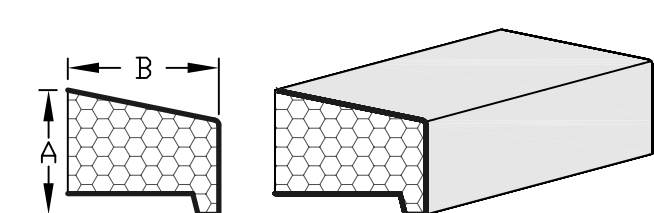
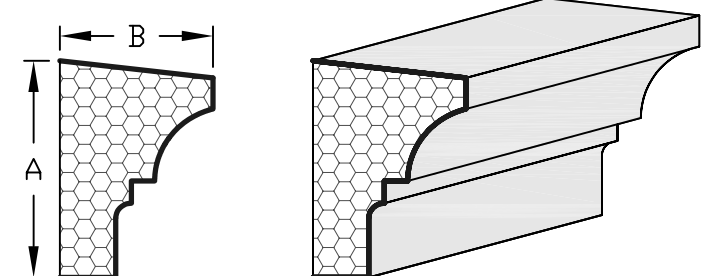


Notes:
* Custom Shapes and Sizes Available

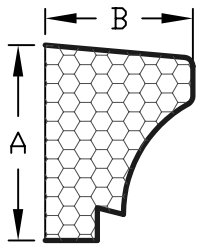
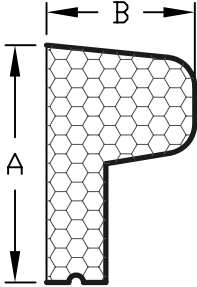
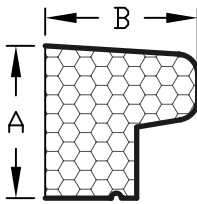
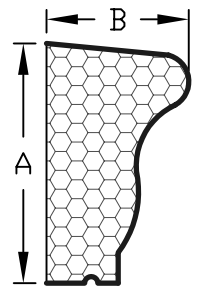
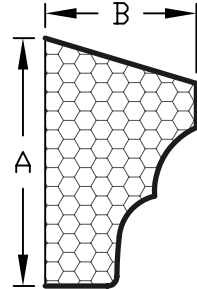
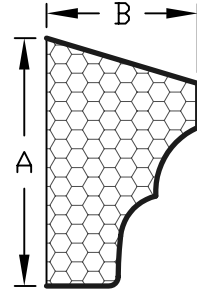
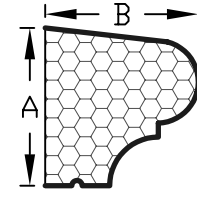
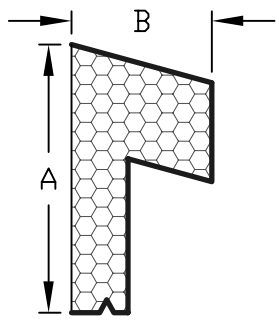
Sills

 <p>A B $6\frac{3}{4}"$ $2\frac{3}{4}"$</p> <p>FILE# BD9906S</p>	 <p>A B $9\frac{3}{4}"$ $4"$</p> <p>FILE# BD9946</p>
 <p>A B $5\frac{7}{8}"$ $2\frac{3}{8}"$</p> <p>FILE# SL9903</p>	 <p>A B $5\frac{3}{4}"$ $2\frac{3}{8}"$</p> <p>FILE# SL9904</p>
 <p>A B $4\frac{1}{2}"$ $3\frac{1}{8}"$</p> <p>FILE# SL9928</p>	 <p>A B $4\frac{5}{8}"$ $3\frac{5}{8}"$</p> <p>FILE# SL9963SD</p>
 <p>A B $5\frac{3}{8}"$ $4"$</p> <p>FILE# SL9968</p>	 <p>A B $5"$ $5"$</p> <p>FILE# SL9981</p>

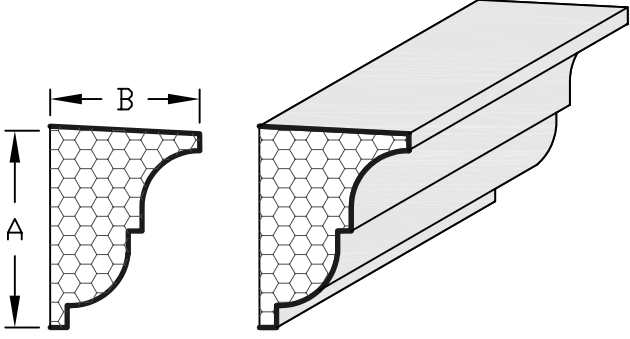
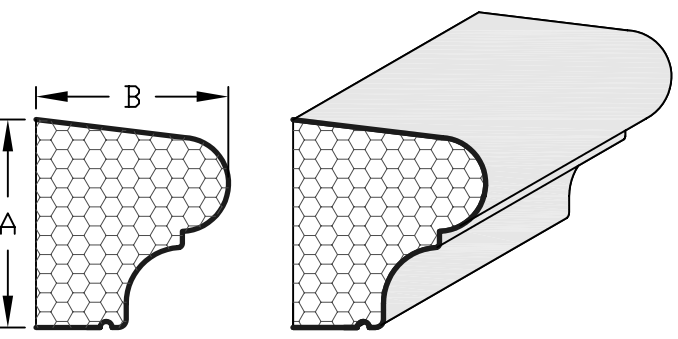
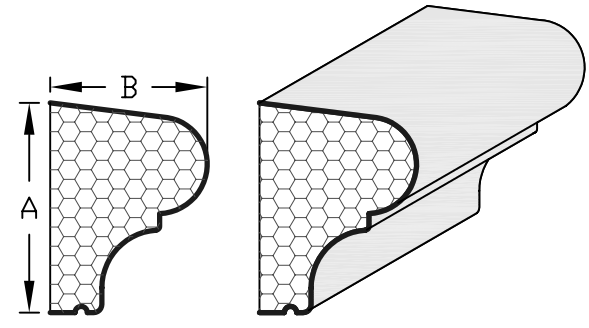
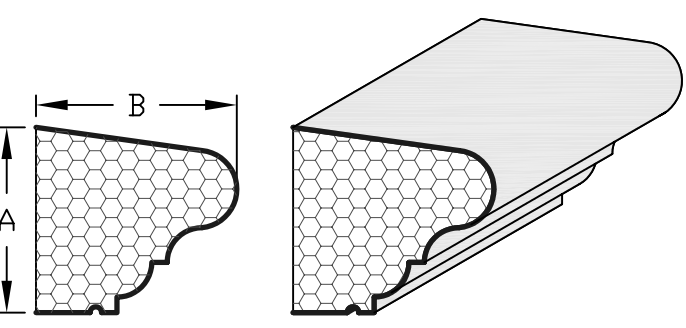
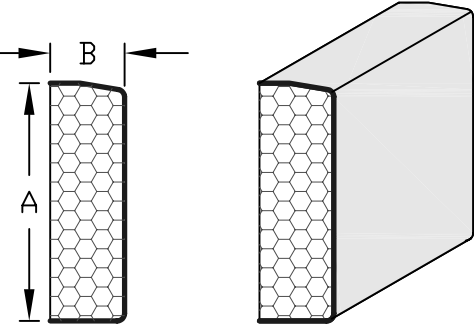
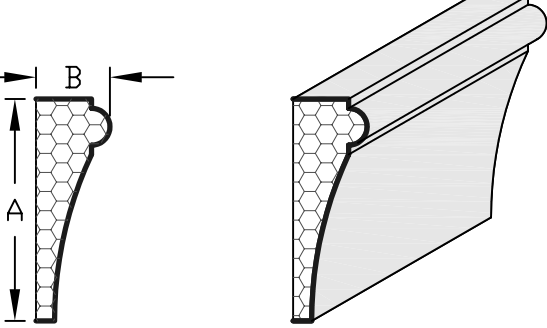
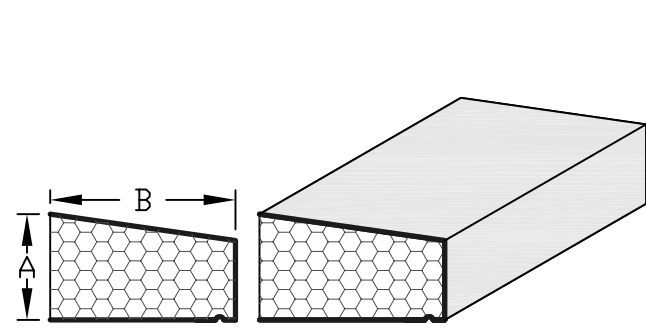
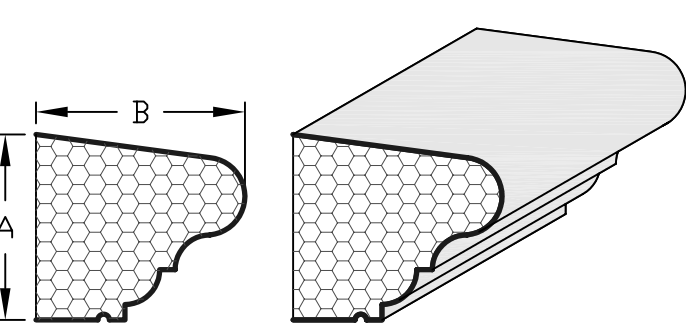
Sills

 <p>A 4$\frac{3}{4}$"</p> <p>B 1$\frac{7}{8}$"</p> <p>FILE# 210823</p>	 <p>A 8$\frac{1}{8}$"</p> <p>B 4$\frac{3}{4}$"</p> <p>FILE# 2110031</p>
 <p>A 5$\frac{3}{4}$"</p> <p>B 5"</p> <p>FILE# 2111055</p>	 <p>A 5$\frac{3}{4}$"</p> <p>B 8"</p> <p>FILE# 2111056</p>
 <p>A 4$\frac{1}{8}$"</p> <p>B 3$\frac{1}{2}$"</p> <p>FILE# 2204174</p>	 <p>A 2$\frac{1}{2}$"</p> <p>B 3"</p> <p>FILE# 2205212a</p>
 <p>A 6"</p> <p>B 7$\frac{1}{4}$"</p> <p>FILE# 2205213a</p>	 <p>A 7$\frac{13}{16}$"</p> <p>B 5$\frac{1}{2}$"</p> <p>FILE# 2206247</p>

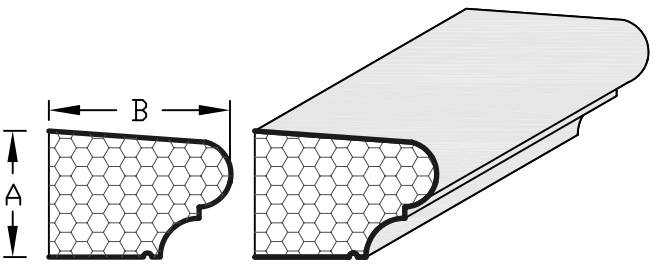
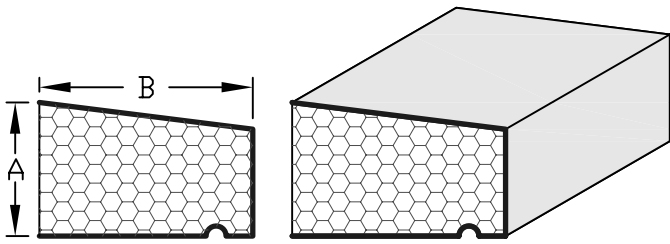
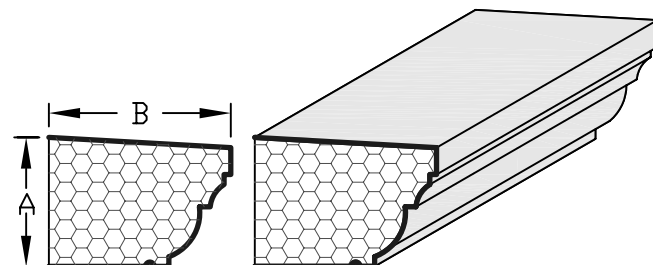
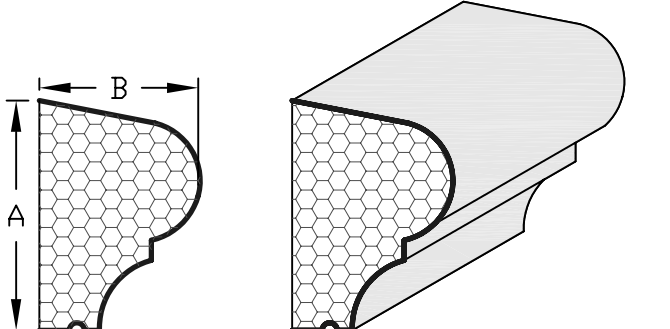
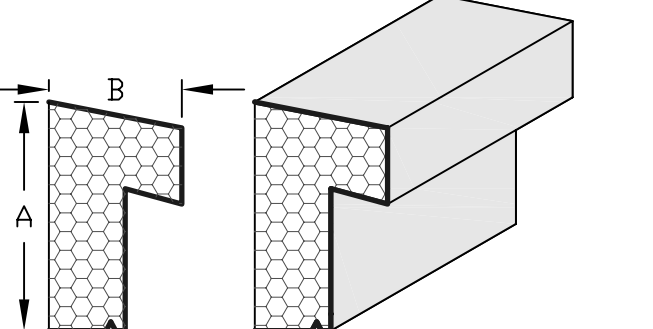
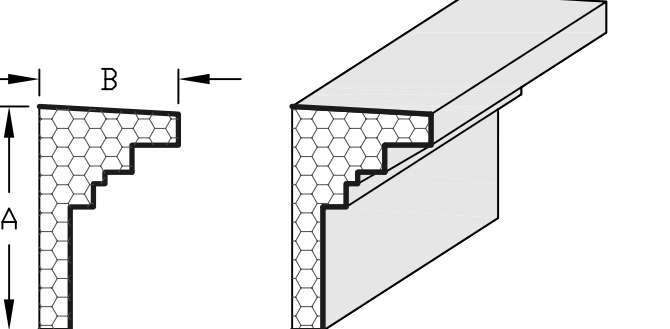
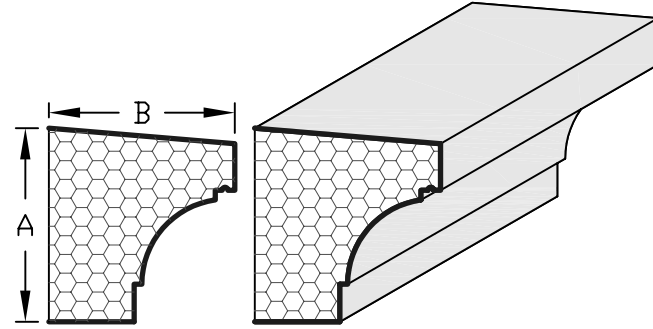
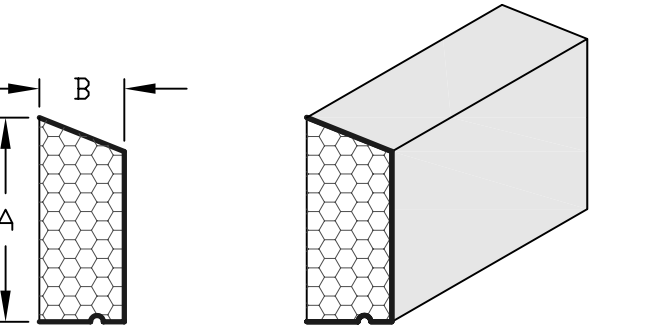
Sills

 <p>A B $5\frac{5}{8}"$ $4\frac{1}{4}"$</p> <p>FILE# 2207042b</p>	 <p>A B $4"$ $2\frac{1}{2}"$</p> <p>FILE# 2208084b</p>
 <p>A B $3\frac{3}{4}"$ $3\frac{3}{4}"$</p> <p>FILE# 2208195</p>	 <p>A B $6\frac{3}{4}"$ $4"$</p> <p>FILE# 2208220a</p>
 <p>A B $3\frac{1}{4}"$ $2"$</p> <p>FILE# 2208293</p>	 <p>A B $4\frac{1}{4}"$ $2\frac{5}{8}"$</p> <p>FILE# 2208294</p>
 <p>A B $5\frac{3}{4}"$ $5\frac{1}{2}"$</p> <p>FILE# 2209101</p>	 <p>A B $4\frac{3}{4}"$ $2\frac{1}{2}"$</p> <p>FILE# 2304231a</p>

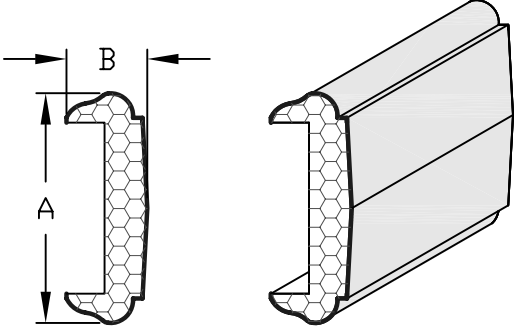
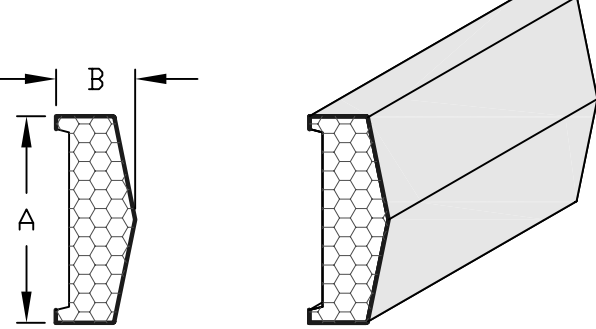
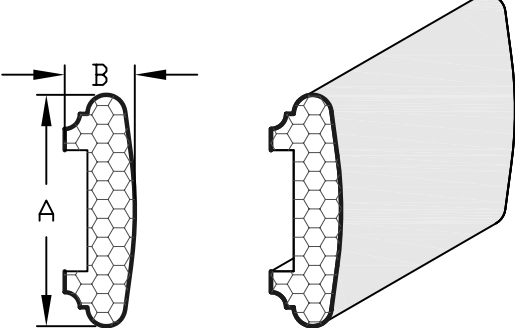
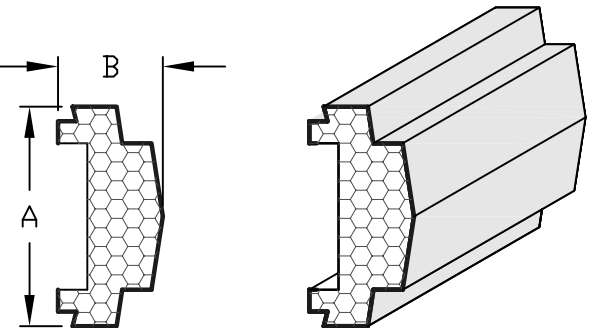
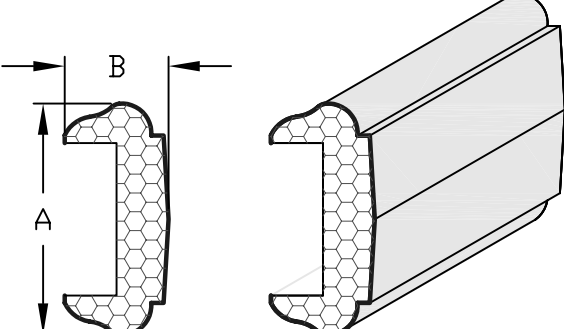
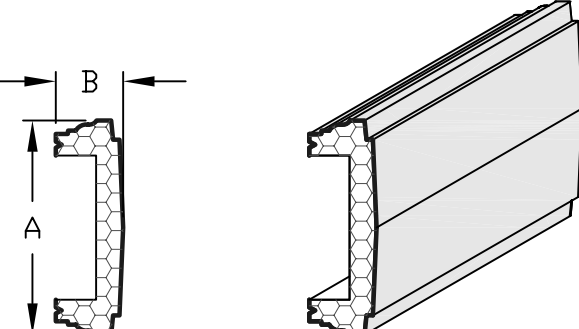
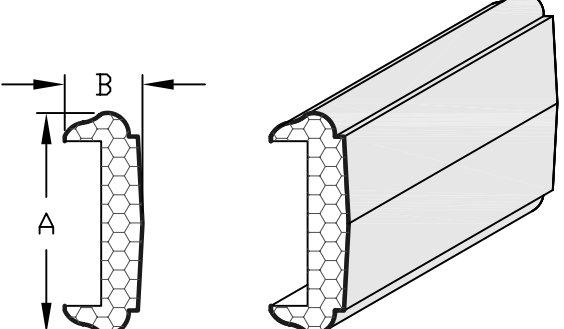
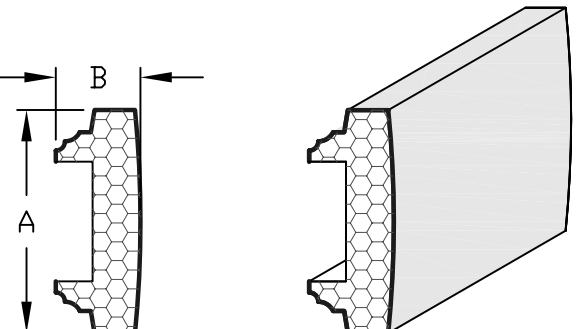
Sills

 <p>A 9"</p> <p>B 6$\frac{1}{16}$"</p> <p>FILE# 2305121</p>	 <p>A 6$\frac{1}{2}$"</p> <p>B 6"</p> <p>FILE# 2305141</p>
 <p>A 6$\frac{3}{8}$"</p> <p>B 4$\frac{3}{4}$"</p> <p>FILE# 2305142</p>	 <p>A 6"</p> <p>B 6$\frac{1}{2}$"</p> <p>FILE# 2305261a</p>
 <p>A 8"</p> <p>B 2$\frac{1}{2}$"</p> <p>FILE# 2306011</p>	 <p>A 12"</p> <p>B 4"</p> <p>FILE# 2310093</p>
 <p>A 4"</p> <p>B 7"</p> <p>FILE# 2311032</p>	 <p>A 6"</p> <p>B 6$\frac{3}{4}$"</p> <p>FILE# 2311212</p>

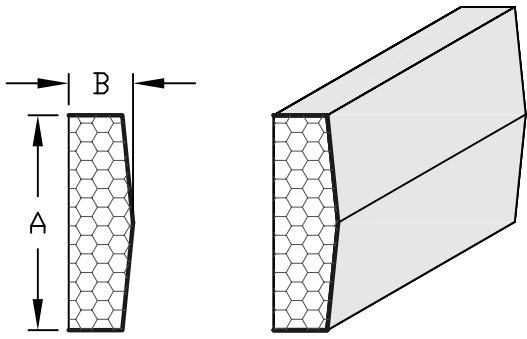
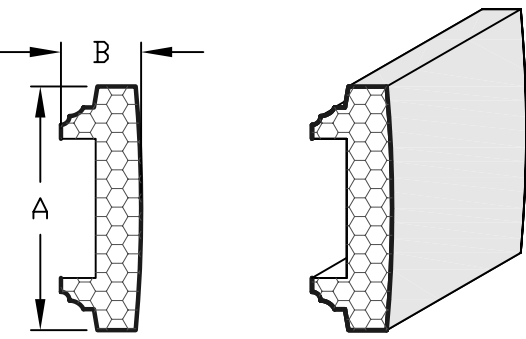
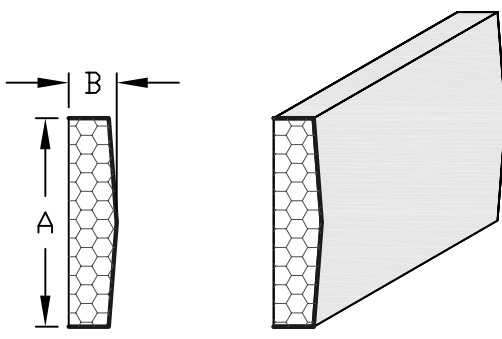
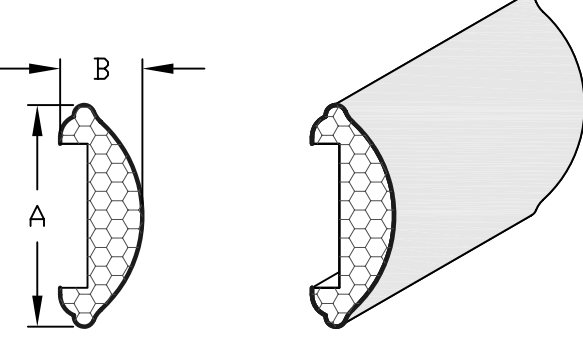
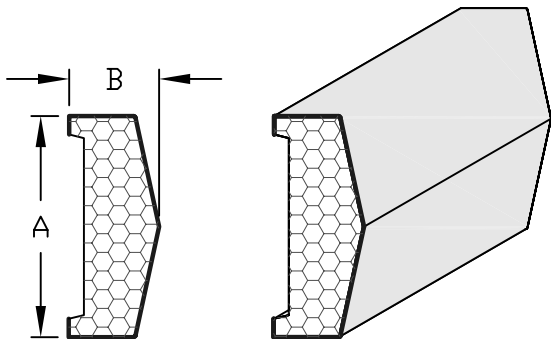
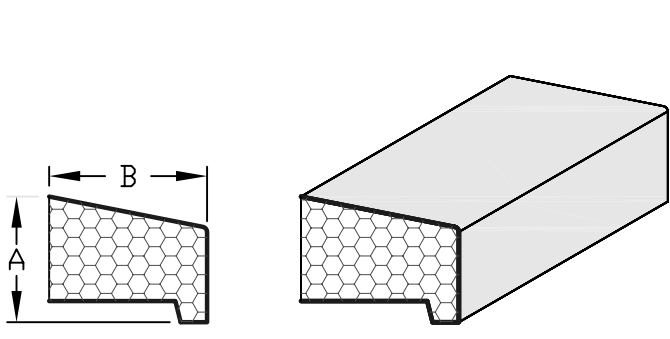
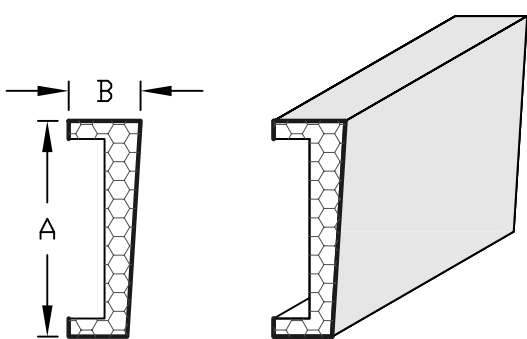
Sills

 <p>A B FILE# $5\frac{3}{4}$" $8\frac{13}{16}$" 2312101</p>	 <p>A B FILE# 5" 8" 2401122</p>
 <p>A B FILE# $4\frac{3}{4}$" $6\frac{5}{8}$" 2402041</p>	 <p>A B FILE# $5\frac{3}{4}$" 4" 2405134</p>
 <p>A B FILE# 6" $3\frac{1}{2}$" 2405261</p>	 <p>A B FILE# $7\frac{1}{4}$" $4\frac{1}{2}$" 2406035</p>
 <p>A B FILE# $6\frac{1}{4}$" 6" 2409162a</p>	 <p>A B FILE# 6" $2\frac{1}{2}$" 2503093a</p>

Wall Caps

 <p>A B $12\frac{1}{16}"$ $4\frac{1}{4}"$</p> <p>FILE# 2112181</p>	 <p>A B $16"$ $6\frac{1}{4}"$</p> <p>FILE# 2205216a</p>
 <p>A B $15\frac{1}{4}"$ $4\frac{5}{8}"$</p> <p>FILE# 2211185</p>	 <p>A B $15"$ $7\frac{1}{8}"$</p> <p>FILE# 2305281</p>
 <p>A B $5\frac{7}{8}"$ $2\frac{5}{8}"$</p> <p>FILE# 2307021</p>	 <p>A B $13\frac{3}{8}"$ $4\frac{3}{16}"$</p> <p>FILE# 2307282a</p>
 <p>A B $12\frac{1}{16}"$ $4\frac{1}{4}"$</p> <p>FILE# 2307245a</p>	 <p>A B $15\frac{1}{8}"$ $5\frac{3}{4}"$</p> <p>FILE# 2307315</p>

Wall Caps

 <p>A B 10" 3"</p> <p>FILE# 2308012</p>	 <p>A B 17½" 5¾"</p> <p>FILE# 2308282</p>
 <p>A B 13" 3"</p> <p>FILE# 2309123</p>	 <p>A B 8" 3"</p> <p>FILE# 2406011a</p>
 <p>A B 15" 6¼"</p> <p>FILE# 2501031</p>	 <p>A B 7½" 6"</p> <p>FILE# 2501032</p>
 <p>A B 12" 4"</p> <p>FILE# 2502247</p>	<p>The cut-outs on these wall caps can be adjusted to fit your wall size. Please ask your sales representative about which wall cap will work on your project.</p>