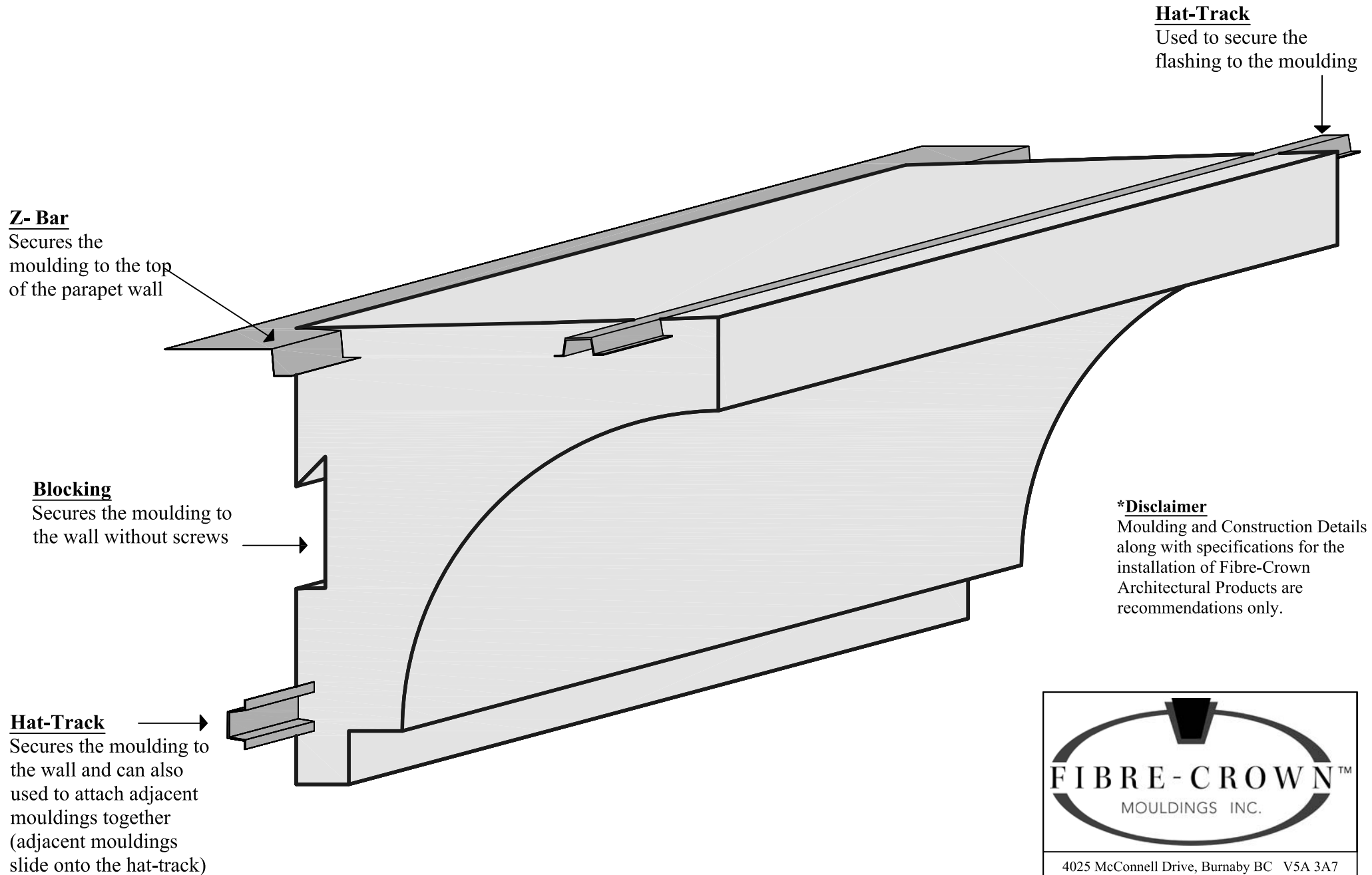


# Available Mounting Systems



**\*Disclaimer**  
Moulding and Construction Details along with specifications for the installation of Fibre-Crown Architectural Products are recommendations only.

**FIBRE-CROWN™**  
MOULDINGS INC.

4025 McConnell Drive, Burnaby BC V5A 3A7  
Phone: 604-433-6955 Fax: 604-433-6995  
info@fibrecrown.com www.fibrecrown.com